



# ETA-USA

## HIGH QUALITY SWITCHING POWER SUPPLIES

AC/DC SWITCHING POWER SUPPLY  
OPEN FRAME 2"x4"  
60 WATTS  
AC INPUT 90~264 / SINGLE OUTPUT

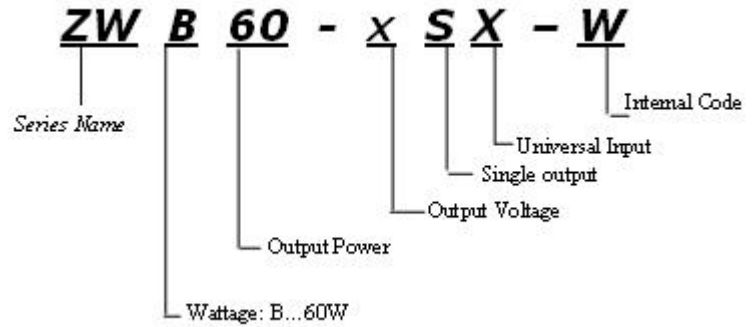
### ZWB60-xSX-W Series



Dimension: L101.6×W50.8×H26mm  
(4"×2"×1.02")



#### General Description



#### Input

**Input Voltage Range:** 90-264VAC

**Frequency:** 47-63Hz

**Input Current:** 2A max. (RMS) @ 115VAC

**Inrush Current:** <40A peak @ 115VAC  
<80A peak @ 230VAC  
(Cold start @25°C)\*

**Efficiency :** 80% typical at full load

#### Features

1. Open Frame 2"x 4"
2. CN1 = AC INPUT MOLEX P/N: 09-65-2029 (OR EQUIVALENT)  
FEMALE HOUSING MOLEX P/N: 09-76-1020 (OR EQUIVALENT)
3. CN2 = DC Output MOLEX P/N: 09-65-2068 (OR EQUIVALENT)  
FEMALE HOUSING MOLEX P/N: 09-52-4064 (OR EQUIVALENT)

\* At 25°C including initial tolerance, line voltage, load currents and output voltages adjusted to factory settings.

Output Characteristic	Unit	ZWB60-05SX-W	ZWB60-12SX-W	ZWB60-15SX-W	ZWB60-19SX-W	ZWB60-24SX-W	ZWB60-36SX-W	ZWB60-48SX-W
		Output Voltage	Vdc	5	12	15	19	24
Minimum Load	A	0	0	0	0	0	0	0
Maximum Load with Convection Cooling	A	8	5	4	3.16	2.5	1.67	1.25
Output Watts	W	60	60	60	60	60	60	60
O/P Regulation	%	3%	3%	3%	3%	3%	3%	3%
Ripple & Noise (Vp-p)*	Vp-p	50	120	150	190	240	300	300
Hold-up time	mS	10ms at 60 watt load and 115VAC nominal line						

\* Peak-to-peak with 20MHz bandwidth with a tantalum 10uF in parallel with a 0.1uF ceramic capacitor



ETA USA  
16170 Vineyard Blvd. Suite 180, Morgan Hill, CA 95037  
Phone: 1-800-ETA-POWER, (408) 778-2793 Fax: (408) 779-2753

Visit us at: [www.eta-usa.com](http://www.eta-usa.com)  
email at: [sales@eta-usa.com](mailto:sales@eta-usa.com)

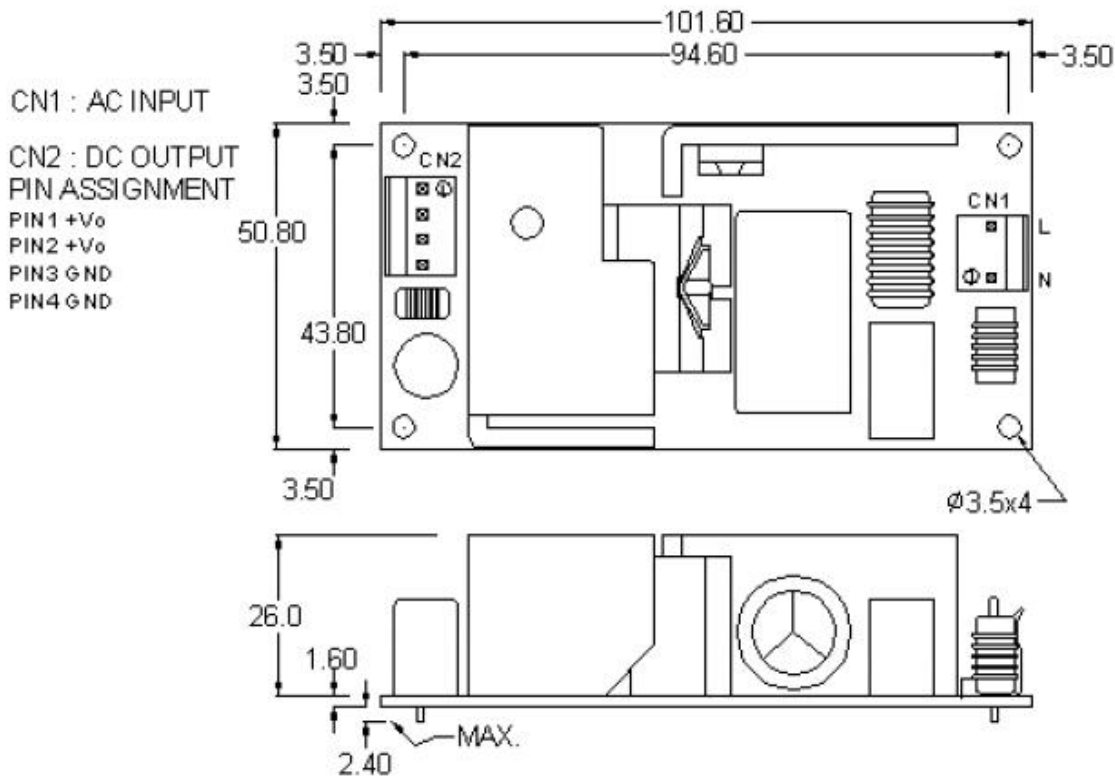


# ETA-USA

## HIGH QUALITY SWITCHING POWER SUPPLIES

Environmental Specification	
Operating Temperature	0 to +40°C ambient derate each output at 2.5% per degree from +40°C to +60°C
Humidity	Non-condensing 5% to 95%
Temperature Co-efficient	±0.04% / °C
MTBF demonstrated	>80'000 hours at full load and 25 °C ambient temperature
Environmental Agencies	
Safety Standards <b>(Pending)</b>	UL 60950 CSA 22.2-No.60950 TUV EN60950 CB IEC 60950
EMI Standards <b>(Pending)</b>	FCC Class B CISPR 22 Class B EN 55022 Class B EN 55024 CE
Protection	
Short circuit protection	Auto recovery
Over Voltage Protection	Output 110% to 130% above following nominal output Latching type. AC Recycle.
Over Load Protection	Over load protected @ 110% to 160% above following maximum rating
Mechanical	
Dimension [mm]:	<b>L101.6×W50.8×H26mm (4"×2"×1.02")</b>

### DIMENSION DIAGRAM (mm)



#### MATCHING CONNECTORS

CN1 = AC INPUT MOLEX P/N: 09-65-2029 (OR EQUIVALENT) FEMALE HOUSING MOLEX P/N: 09-76-1020 (OR EQUIVALENT)  
 CN2 = DC Output MOLEX P/N: 09-65-2068 (OR EQUIVALENT) FEMALE HOUSING MOLEX P/N: 09-52-4064 (OR EQUIVALENT)

