



ETA-USA

High Quality Switching Power Supplies

1KW

85-264VAC



Power - Factor Correction FHH-SX SERIES

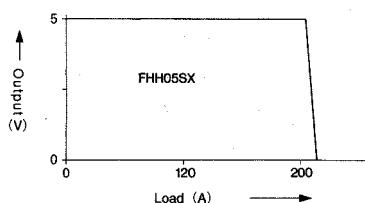
Output Table

FHH-SX (85~264V)

163X250X93 (mm)

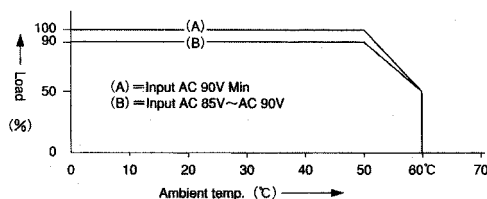
MODEL	OUTPUT		EFFICIENCY
	VOLTAGE	CURRENT	
FHH 3.3SX	3.3V	200A	68%
FHH 05SX	5V	200A	76%
FHH 06SX	6V	167A	78%
FHH 12SX	12V	88A	82%
FHH 15SX	15V	70A	81%
FHH 24SX	24V	44A	83%
FHH 30SX	30V	35A	83%
FHH 36SX	36V	29A	83%
FHH 48SX	48V	22A	83%

Load & Output V.



This-Series is a new generation of powersupplies. Its the latest design following the international standard and market demands. This type of powersupply has all in one: Power factor correction, low line distortion according to EN 60555-2, electro magnetic interference (EMI) complies with EN 55022 B, FCC level B. Safety complies with EN 60950, UL 1950, CSA 234. High efficiency and power factor correction is an optimal combination of good cost-performance for both, end-users and power production companies.

Output Derating



Special Features

1. Power factor 115Vac=0.99 230Vac=0.99
2. Harmonics acc. to EN 60555-2 IEC1000-3-2 3. N+1 Redundant
4. Parallel operation
5. EMI : complies with EN 55022 B, FCC class B
6. Safety : complies with to IEC 950 (approvals pending)

Applications

Process control, Office-Equipment, Computer Peripherals, Telecommunication, Industrial Electronics and Machines, Household-Equipment

FHH-SX SPECIFICATION

GENERAL SPECIFICATION

Power factor correction	:Active filter circuit with boost converter
Over-current protection	:Constant current limiting
Over-voltage protection	:Output shutdown
Remote control	:Possible
Remote sensing	:Possible
Switching frequency	:130KHz Fixed
Withstand voltage	:(Input-Output) :AC3000V(1Minute) :(Input-Chassis) :AC2500V (1Minute) :(Output-Chassis):AC 500V (1Minute)
Insulation resistance	:(Input-Output-Chassis):50M MIN.
Leakage current	:AC 115VAC, 50Hz, 25°C 270A AC 230VAC, 50Hz, 25°C 550A
Weight	:3.9Kg

ENVIRONMENT

Operating temperature	:-5 ~+50°C (See output derating curve)
Storage temperature	:-20~+85°C
Humidity	:85%
Vibration	:(5~10Hz) Amplitude (peak to peak) 10mm(constant) (10~55Hz) Acceleraton 2G (constant) X, Y, Z
Shock	:30G

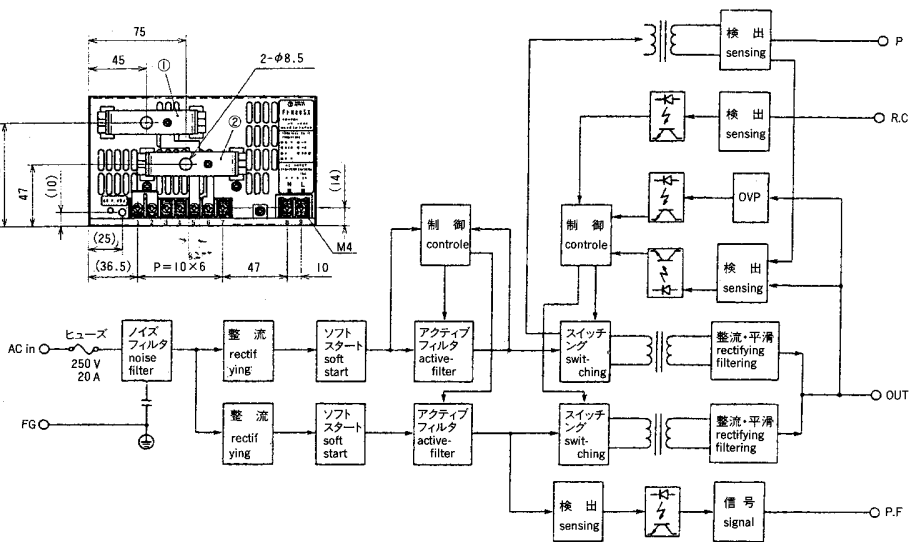
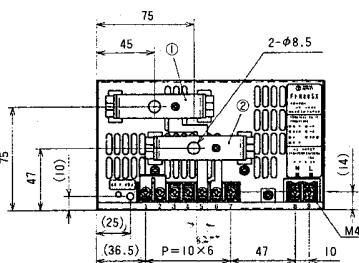
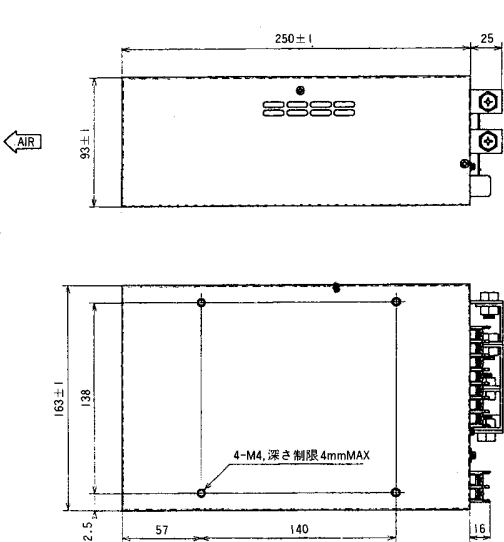
INPUT

Voltage nominal	:115~230VAC
Voltage range	:85~264VAC
Power factor & harmonic correction range	:85~255VAC
Frequency	:50/60Hz
Current on full road	:16A / 8A(Input 115V/230VAC)
Inrush current	:18A MAX.(Input 115VAC), 36A MAX. (Input 230VAC)
Phase	:Single

OUTPUT

Adjustable voltage	:± 10%, typical
Ripple & noise	:(Output V x 1%)+ 100mVp-p MAX.
Input regulation	:0.5%MAX
Load regulation	:1.0%MAX
Temperature coefficient	:0.03% / °C
Drift / Time effect	:(Output V X 0.5%)+15mV/8H (After 1 H)
Rise up time	:500mS typ. @ 115 VAC in / 250mS typ. @230 VAC in
Hold-up time	:20mS MIN (at 25°C, Rated-Input-Output)

Dimension (mm)



Terminal Connection

端子NO	機能	7	F G
1	R. C	8	AC i n (N)
2	R C G	9	AC i n (L)
3	P	①	-出力
4	P. F	②	+出力
5	- S		
6	+ S		

ETA-USA

16315 Vineyard Blvd. Morgan Hill, CA 95037
Phone: 1-800-ETA-POWER, (408) 778-2793 Fax: (408) 779-2753

Visit Us On The Web at: <http://www.eta-usa.com/>
Or Email at: sales@eta-usa.com