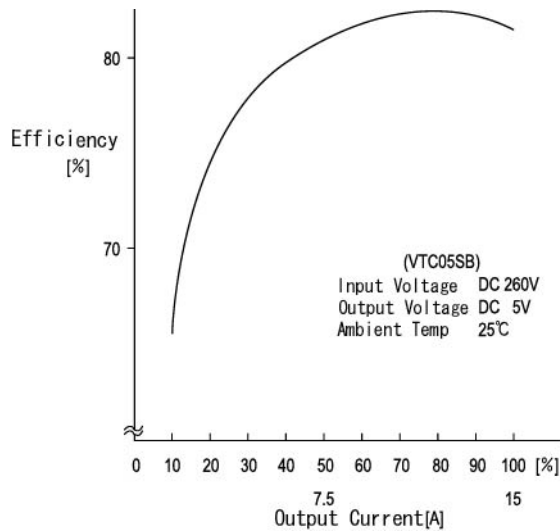


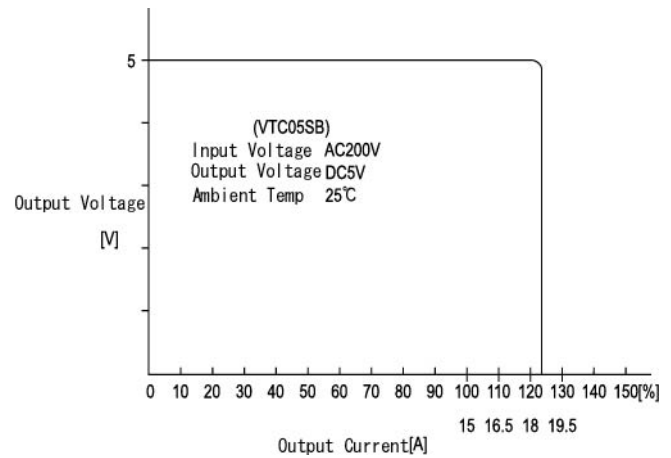
# 75 WATT AC-DC CONVERTER VTC-SB SERIES

Specifications<AC/DC>	Model				
VTC**SB 75WATTS/SINGLE OUTPUT	VTC05SB	VTC12SB	VTC15SB	VTC24SB	VTC48SB
<b>Input Characteristic</b>					
Input Voltage	AC200V(DC260V)				
Input Range	AC180-264V(DC220-350V)				
Input Frequency	50/60Hz				
Input Frequency Range	47 -440Hz				
Phase	Single				
Inrush Current *1	20A(maximum) at rated input/output				
Efficiency [%] (typical) *2	79	81	82	83	85

**Efficiency Curve**



**OCP Curves**



<b>VTC**SB Specification</b>					
Specifications<AC/DC>	Model				
VTC**SB 75WATTS/SINGLE OUTPUT	VTC05SB	VTC12SB	VTC15SB	VTC24SB	VTC48SB
<b>Output Characteristic</b>					
Output Voltage [V]	5	12	15	24	48
Output Current [A]	15.0	6.3	5.0	3.2	1.5
Voltage Adjust Range	+/-10% of Rated Output Voltage(at no load within input range)				
Ripple and Noise [mVp-p](maximum) *3	100	170	200	290	530
<b>Regulation</b>					
a.Statistic Line Regulation [mV](maximum)	40	96	120	192	384
b.Statistic Load Regulation [mV](maximum)	45	108	135	216	432
c.Temperature Coefficient *4	0.03%/°C				
d.Drift[mV](maximum) *5	40	75	90	135	255
e.Dynamic Load Regulation [mV](typical) *6	150	360	450	720	1440
f.Recovery Time *6	0.5mS(typical)				
Rise up time	100mS(maximum) at 25°C and rated input/output				
Hold up time	20mS(minimum) at 25°C and rated input/output				
<b>Functions</b>					
Overcurrent Protection	Current Limiting with automatic recovery				
Overvoltage Protection	output shutdown				
Remote Sense	not available				
Remote On/Off	not available				
<b>Environmental</b>					
Operating Temperature	0 to +50°C				
Operating Humidity	85%RH(non-condensing)				
Storage Temperature	-20 to +85°C				
Storage Humidity	30 to 85%RH(non-condensing)				
Withstanding Voltage	Primary-Secondary AC2,500Vfor 1minute				
	Primary-Frame Ground AC2,500V for 1minute				
	Secondary-Frame Ground AC500V for 1minute				
Isolation Resistance	Primary-Secondary-Frame Ground 50MΩ(minimum) by DC500V insulation tester				
Vibration	5-10Hz:10mm double amplitude,10-55Hz:19.6m/s <sup>2</sup> ,20minutes' period for 60minutes each along X,Y,Z axes(non-operating)				
Shock	294m/s <sup>2</sup>				
Cooling	Convection				
? Leakage Current	1.0mA(maximum)				
? Line Conduction Noise	Not specified				
? Safety	-				
? Weight (typical)	540g				
? MTBF [H]	740,000				
? Switching Frequency[kHz](typical)	65				

Conditions:

\*1 at cold start

\*2 at DC260V and rated output

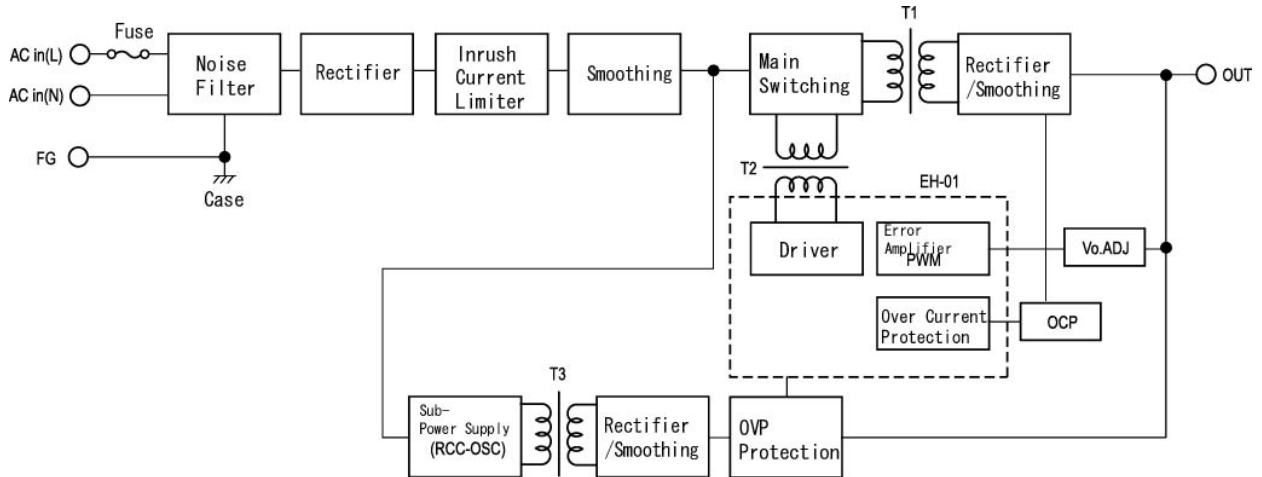
\*3 measured by a bayonet probe at the output connector at a 0 to 100MHz bandwidth

\*4 at 0 to +50°C

\*5 for 7hour period after 1hour warm-up at 25°C and rated input/output

\*6 when output current changed from 25% to 75% of rated output current rapidly at AC100V input

### Block Diagram



### Dimension Diagram(mm)

