



ETA-USA

THE POWER PROFESSIONALS

WRD**FWX-O



100Watt AC/DC Dual Output

Universal Input
 Compact design with Inrush current protection
 Dual Output
 -WRD21FWX-O: 5V, 24V -WRD24FWX-O: 5V, 12V
 2 year Warranty



		UNIT	
INPUT	Voltage/Freq	V	AC85V ~ 132V / 180V ~ 264V or DC 240V ~ 370V, 50/60Hz (47 ~ 440Hz), Auto Selectable
	Current Typ.	A	1.8A at 110V; .1A at 220V (I _o =100%)
	Power Factor	-	--
	Inrush Current	A	20A typ (AC IN 110V, I _o =100%), 40A typ (AC IN 220V, I _o =100%) at cold start
	Leakage	mA	0.35 mA @ 110, .75 mA @220

		UNIT	WRD24FWX-O		WRD21FWX-O	
OUTPUT	Nominal Voltage	VDC	5	12	5	24
	Efficiency typ	%	75		75	
	Current	A	1~10	4	1~10	2.0
	Line Regulation	mV (max)	25	60	25	120
	Load Regulation	mV(max)	50	120	50	240
	Ripple	mVp-p	80	120	80	120
	Ripple Noise maximum	mVp-p	120	150	120	150
	Temperature Drift [0→50C]	mV	75	180	75	360
	Rise Time	mS	500 max [AC IN 100V I _o =100%]			
	Hold up Time	mS	17 typ [AC IN 100V ,I _o =100%]			
Grounding		Individual Ground				

Protection	Over Voltage	Works at 115~140% of rating
	Over Current	Works at 110% over rated current and recovers automatically
Isolation	Input-Output	AC 3,000V 1 minute current 20mA, DC 500V 100MΩ (At room temperature & Humidity)
	Input-F.G	AC 2,000V 1 minute current 20mA, DC 500V 100MΩ (At room temperature & Humidity)
	Output-F.G	AC 500V 1 minute current 100mA, DC 500V 100MΩ (At room temperature & Humidity)
Environment	Operating temp/hum	-10 ~ +70°C, 20 ~ 90% RH(Non condensing)
	Storage temp/hum	-20 ~ +75°C, 20 ~ 90% RH(Non condensing)
	Vibration	10 ~ 55Hz at 1G, 3 minutes period, 30 minutes along X, Y and Z axis
Safety	Impact	10G for 20ms once on each X, Y and Z axis
	CE/ CB	IEC 60950-1,
Size	Line Con RF Voltage	EN55022-A
	MM/G	82 * 45 * 175(190)/ 560



ETA-USA

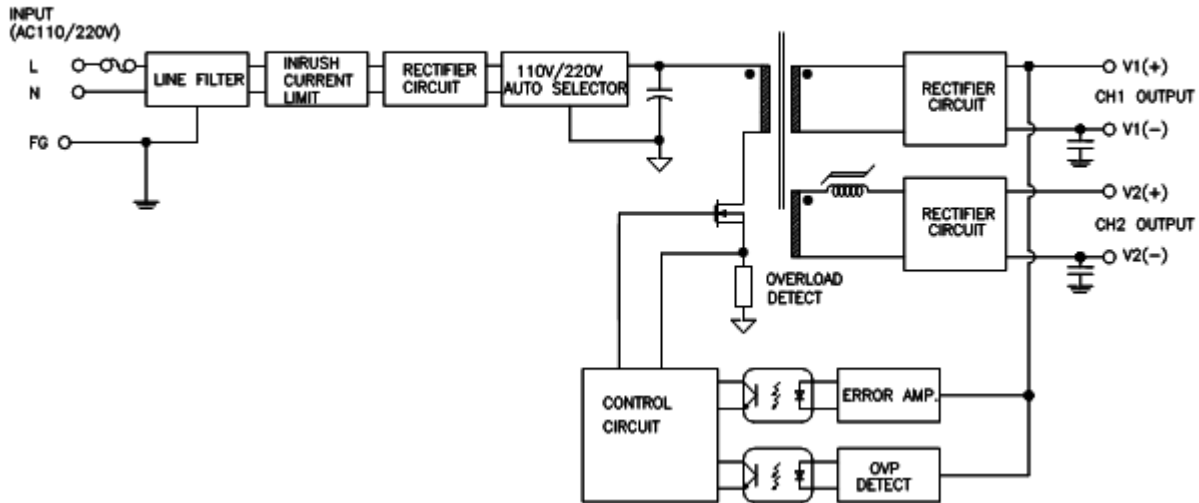
16170 Vineyard Blvd, Suite 180 Morgan Hill, CA 95037 <http://www.eta-usa.com>
 Toll-free (US only): 800-ETA-POWR (800-382-7697) Telephone: 408 778-2793 FAX: 408-779-2753



BLOCK DIAGRAM

WRD24FWX-O WRD21FWX-O

1. BLOCK DIAGRAM



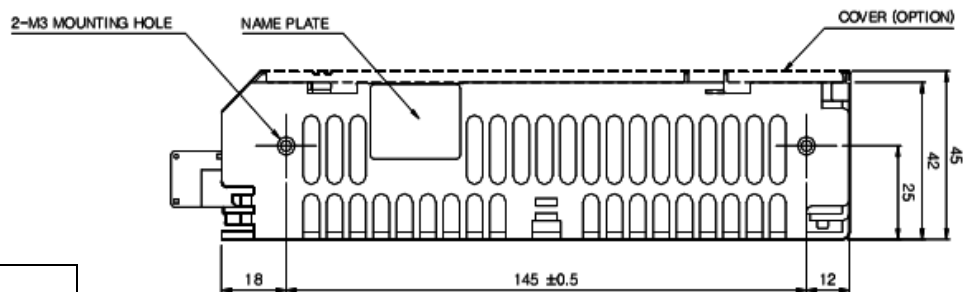
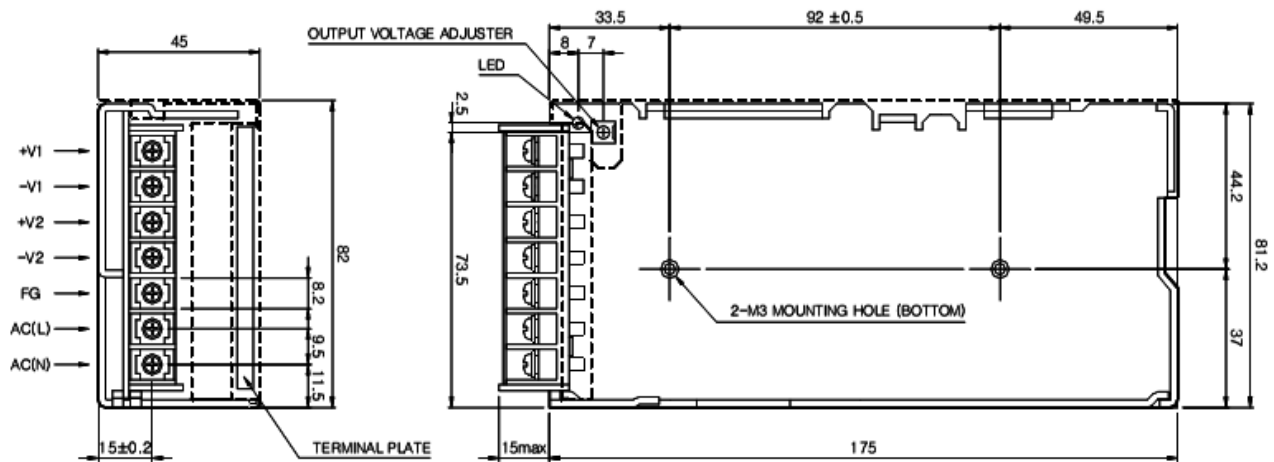


ETA-USA

THE POWER PROFESSIONALS

DIMENSIONAL DRAWING (mm)

WRD24FWX-O WRD21FWX-O



Mark	Pin Connection
L	AC input line
N	AC input neutral
FG	AC Chassis Ground
+V1	DC V1 Output
-V1	DC V1 Return
+V2	DC V2 Output
-V1	DC V2 Return



ETA-USA

16170 Vineyard Blvd, Suite 180 Morgan Hill, CA 95037 <http://www.eta-usa.com>
Toll-free (US only): 800-ETA-POWR (800-382-7697) Telephone: 408 778-2793 FAX: 408-779-2753



DERATING CURVE AND RECCOMENDED MOUNTING DIAGRAM

