



ETA-USA

THE POWER PROFESSIONALS

WRB**FWX-O

50 Watt AC/DC Dual Output



Universal Input
 Compact design with Inrush current protection
 Dual Output
 -WRB21FWX-O: 5V, 24V - WRB24FWX-O:5V, 12V
 -WRB22FWX-O: 12V, 12V - WRB25FWX-O:5V, 15V
 -WRB23FWX-O: 15V, 15V



		UNIT	
INPUT	Voltage/Freq	V	AC100V - 240V (AC85V ~ 264V or DC125V~ 370V), 50 / 60Hz (47 ~ 440Hz) Universal Input voltage
	Current Typ.	A	1.2A at 110V; .7A at 220V (I _o =100%)
	Power Factor	-	--
	Inrush Current	A	20A typ (AC IN 110V, I _o =100%), 40A typ (AC IN 220V, I _o =100%) at cold start
	Leakage	mA	0.75

		UNIT	WRB24FWX-O		WRB21FWX-O		WRB25FWX-O		WRB22FWX-O		WRB23FWX-O		
OUTPUT	Nominal Voltage	VDC	5	12	5	24	5	15	12	12	15	15	
	Efficiency typ	%	75		77		76		77		77		
	Current	A	0.5~5	2	0.5~5	1	0.5~5	1.7	0.1~2.5	1.5	.1~2	1.5	
	Line Regulation	mV (max)	50	120	50	240	50	150	120	120	150	150	
	Load Regulation	mV(max)	100	240	100	480	100	210	240	240	300	300	
	Ripple	mVp-p	80	120	80	150	80	120	120	120	120	120	
	Ripple Noise maximum	mVp-p	120	150	120	250	120	150	150	150	150	150	
	Temperature Drift [0~+50C]	mV	75	180	75	360	75	225	180	180	225	225	
	Rise Time	mS	1000 max [AC IN 110V/220V I _o =100%]										
	Hold up Time	mS	17 typ [AC IN 110V/220V, I _o =100%]										
Grounding		Individual Ground											

Protection	Over Voltage	Works at 115~140% of rating
	Over Current	Works at 105% over rated current and recovers automatically
Isolation	Input-Output	AC 3,000V 1 minute current 20mA, DC 500V 100MΩ (At room temperature & Humidity)
	Input-F.G	AC 2,000V 1 minute current 20mA, DC 500V 100MΩ (At room temperature & Humidity)
	Output-F.G	AC 500V 1 minute current 100mA, DC 500V 100MΩ (At room temperature & Humidity)
Environment	Operating temp/hum	-10 ~ +70°C, 20 ~ 90% RH(Non condensing)
	Storage temp/hum	-20 ~ +75°C, 20 ~ 90% RH(Non condensing)
	Vibration	10 ~ 55Hz at 1G, 3 minutes period, 30 minutes along X, Y and Z axis
Safety	Impact	10G for 20ms once on each X, Y and Z axis
	CE/ CB	IEC 60950-1, Built to meet UL60950-1, EN60950-1
Size	Line Con RF Voltage	EN55022-A
	MM/G	82 x 35.5 x 135 (150) / 360



ETA-USA

16170 Vineyard Blvd, Suite 180 Morgan Hill, CA 95037 <http://www.eta-usa.com>

Toll-free (US only): 800-ETA-POWR (800-382-7697) Telephone: 408 778-2793 FAX: 408-779-2753

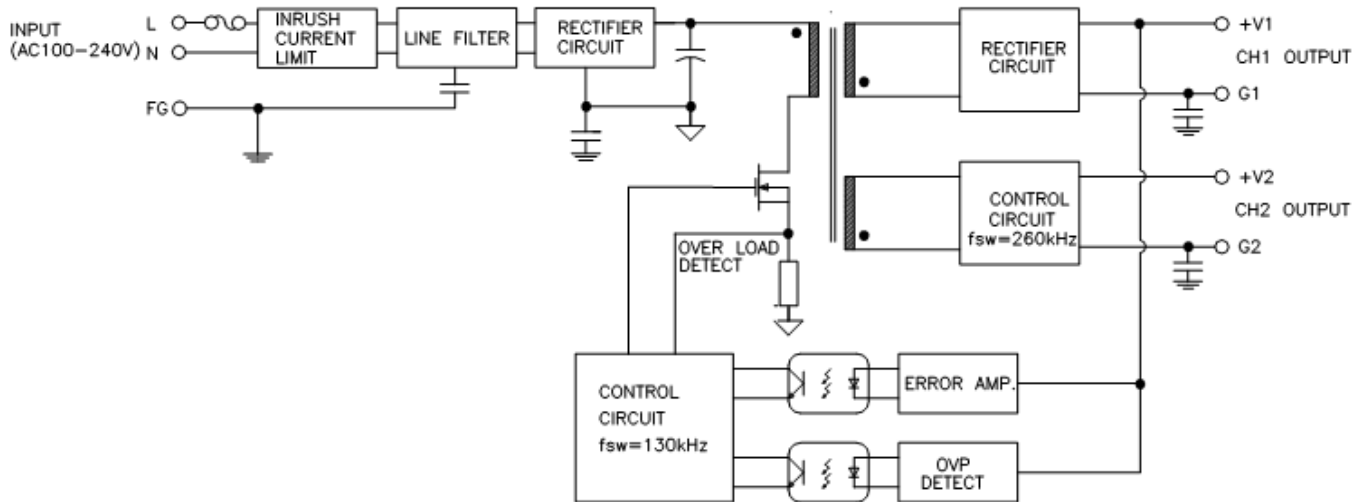


ETA-USA

THE POWER PROFESSIONALS

BLOCK DIAGRAM

WRB22FWX-O WRB23FWX-O WRB25FWX-O WRB24FWX-O WRB21FWX-O



ETA-USA

16170 Vineyard Blvd, Suite 180 Morgan Hill, CA 95037 <http://www.eta-usa.com>
Toll-free (US only): 800-ETA-POWR (800-382-7697) Telephone: 408 778-2793 FAX: 408-779-2753

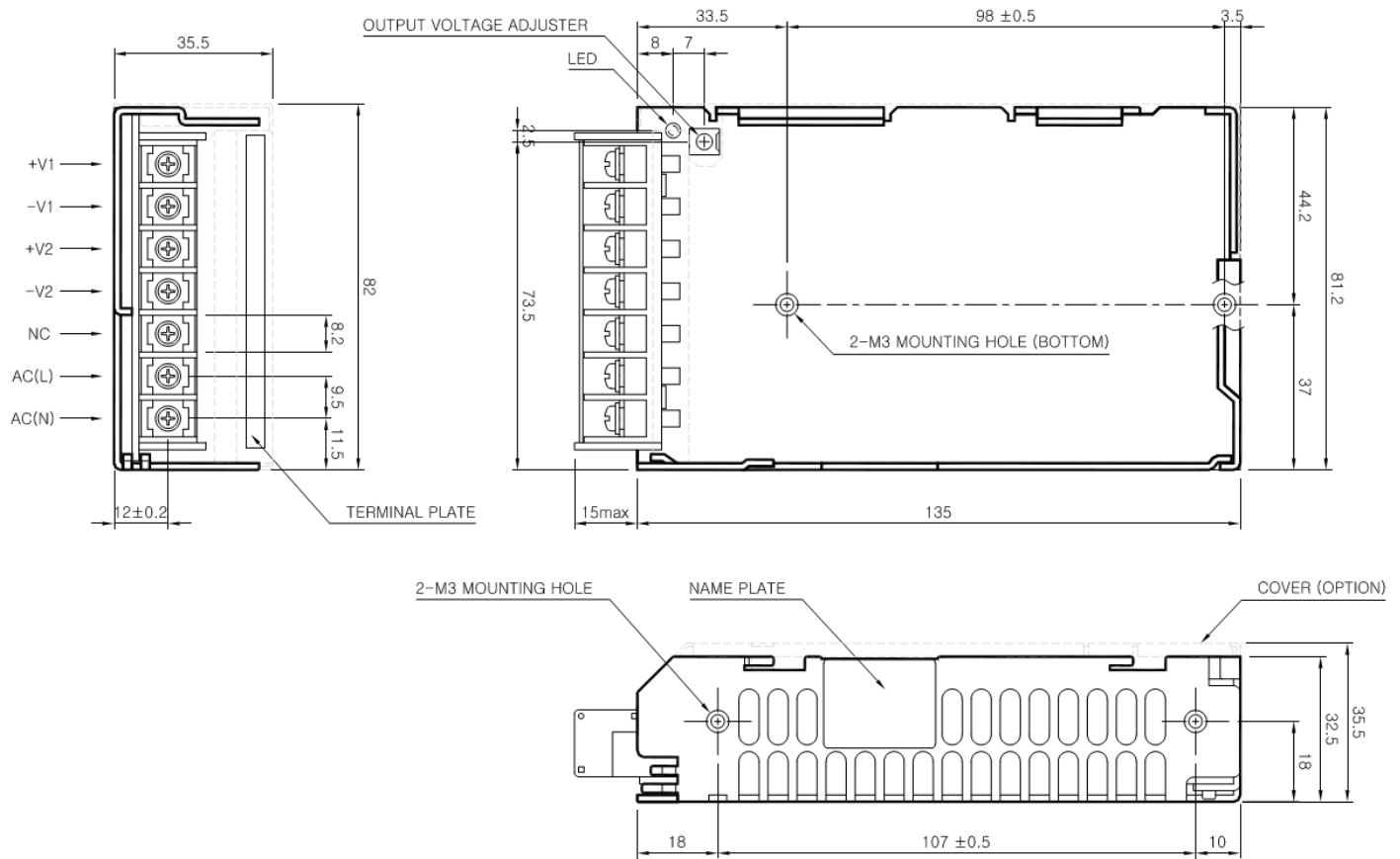


ETA-USA

THE POWER PROFESSIONALS

DIMENSIONAL DRAWING (mm)

WRB21FWX-O WRB22FWX-O WRB23FWX-O WRB24FWX-O WRB25FWX-O



Mark	Pin Connection
L	AC input line
N	AC input neutral
NC	AC Chassis Ground
+V1	DC V1 Output
-V1	DC V1 Ground
+V2	DC V2 Output
-V2	DC V2 Ground



ETA-USA

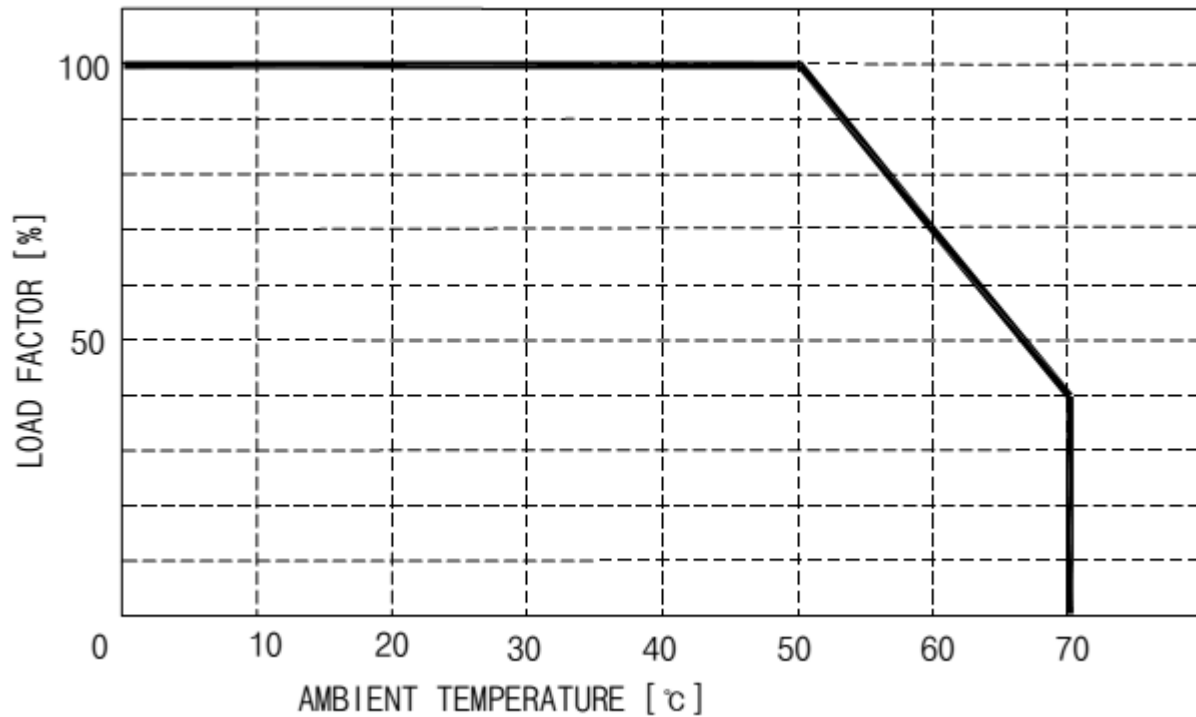
16170 Vineyard Blvd, Suite 180 Morgan Hill, CA 95037 <http://www.eta-usa.com>
Toll-free (US only): 800-ETA-POWR (800-382-7697) Telephone: 408 778-2793 FAX: 408-779-2753



ETA-USA

THE POWER PROFESSIONALS

DERATING CURVE AND RECCOMENDED MOUNTING DIAGRAM



ETA-USA

16170 Vineyard Blvd, Suite 180 Morgan Hill, CA 95037 <http://www.eta-usa.com>
Toll-free (US only): 800-ETA-POWR (800-382-7697) Telephone: 408 778-2793 FAX: 408-779-2753