

AOJS50 Series

50 Watt AC/DC Power Supply



Universal Input
 Inrush current protection
 Over Voltage Protection
 Over Current Protection
 UL, CE recognized
 2 year Warranty



		UNIT	
INPUT	Voltage/Freq	V	AC100V - 240V (AC88V ~ 264V or DC125V~ 370V), 50 / 60Hz (47-63) Universal Input voltage
	Current Typ. 110V	A	1.3
	220V		0.8
	Power Fac	-	
	Inrush Current	A	110V 20 (Ta=25°C , Io=100% at cold Start); 220V 40 (Ta=25°C , Io=100% at cold Start)
Leakage	mA	1.0	

		UNIT	AOJS50-3.3	AOJS50-5	AOJS50-9	AOJS50-12	
OUTPUT	Nominal Voltage	VDC	3.3	5	9	12	
	Efficiency typ	%	73	77	80	83	
	Current	A	10	10	5.6	4.2	
	Line Regulation	mV	17	25	45	60	
	Load Regulation	mV	66	50	90	60	
	Ripple	mVp-p	80	80	120	120	
	Ripple Noise maximum	mVp-p	80	80	120	120	
	Temperature Drift [0-+50C]	mV	50	75	135	180	
	Rise Time	mS	1200 max [AC IN 110 Io =100%]				
	Hold up Time	mS	14 typ [AC IN 110V,Io =100%] 60 typ [AC IN 220V,Io =100%]				
	OVP	-	Work at 115~140% of rating				
	OCP	-	Works at 110 % or rating and recovers automatically				
	Remote ON OFF		-	-	-	-	
	Remote Sensing		-	-	-	-	
	Power Fail Signal		-	-	-	-	
Parallel/Series Operation		Series operation possible					
Cooling OTP		Convection Cooling					



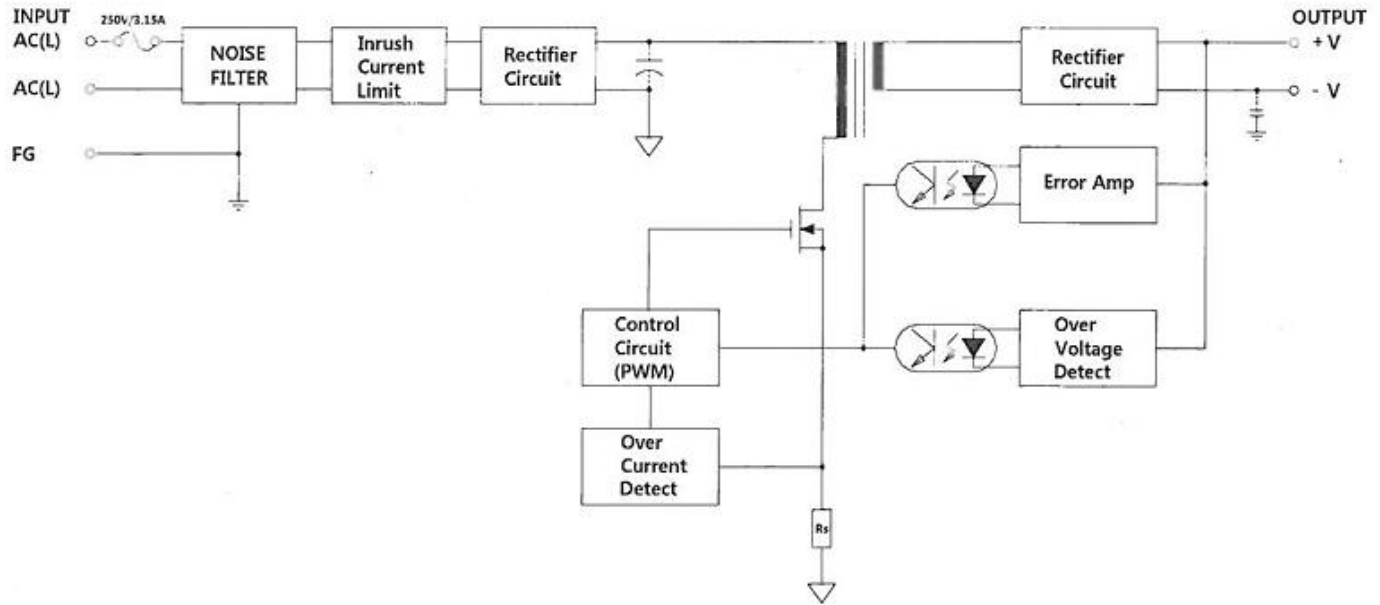
		UNIT	AOPS150-15	AOPS150-24	AOPS150-48
OUTPUT	Nominal Voltage	VDC	15	24	48
	Efficiency typ	%	84	85	88
	Current	A	3.4	2.2	1.1
	Line Regulation	mV	75	120	240
	Load Regulation	mV	75	120	240
	Ripple	mVp-p	120	120	200
	Ripple Noise maximum	mVp-p	120	120	200
	Temperature Drift [0-+50C]	mV	225	360	720
	Rise Time	mS	1200 max [AC IN 110V, I _o =100%]		
	Hold up Time	mS	14 typ [AC IN 110V, I _o =100%] 60 typ [AC IN 220V, I _o =100%]		
	OVP	-	Work at 115~140% of rating		
	OCP	-	Works at 110 % or rating and recovers automatically		
	Remote ON OFF	-	-	-	-
	Remote Sensing	-	-	-	-
	Power Fail Signal	-	-	-	-
Parallel/Series Operation	Series operation possible				
Cooling OTP	Convection Cooling				

Isolation	Input-Output	AC 3,000V 1 minute current 20mA, DC 500V 50MΩ (At room temperature & Humidity)		
	Input-Case	AC 2,000V 1 minute current 20mA, DC 500V 50MΩ (At room temperature & Humidity)		
	Output-Case	AC 500V 1 minute current 100mA, DC 500V 50MΩ (At room temperature & Humidity)		
Environment	Operating temp/hum	-10 ~ +70°C, 20 ~ 90% RH(Non condensing)		
	Storage temp/hum	-20 ~ +75°C, 20 ~ 90% RH(Non condensing)		
	Vibration	10 ~ 55Hz at 1G, 3 minutes period, 30 minutes along X, Y and Z axis		
	Impact	10G for 20ms once on each X, Y and Z axis		
Safety	UL/CE	UL 60950-1, 2nd Ed+AM1+AM2		
	Line Emission	, EN55022-A		
Size	MM/G	82x45x175	560 grams	





BLOCK DIAGRAM



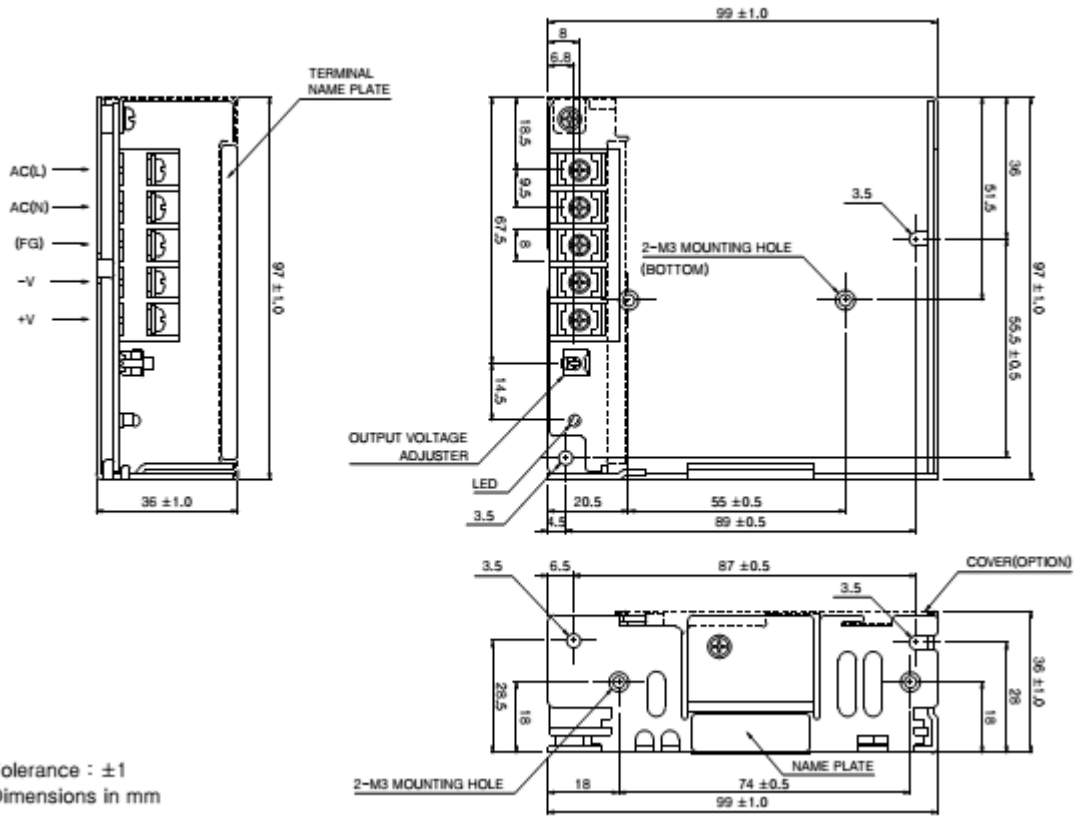
Terminal Output

Mark	Pin Connection	Function
L	AC L	AC Terminal (Fuse in Line)
N	AC N	AC Terminal
F.G	Frame ground	AC CASE
+V	DC Output (+)	DC (+) Terminal
-V	DC Output (-)	DC (-) Terminal





DIMENSIONAL DRAWING (mm)

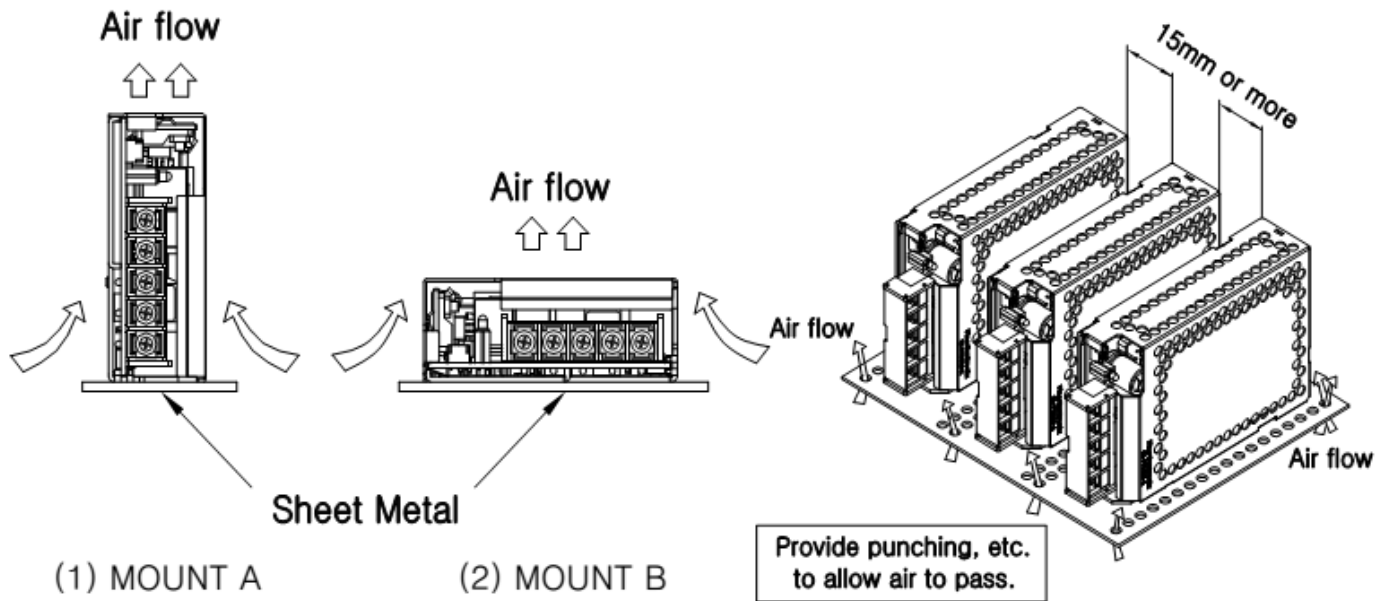
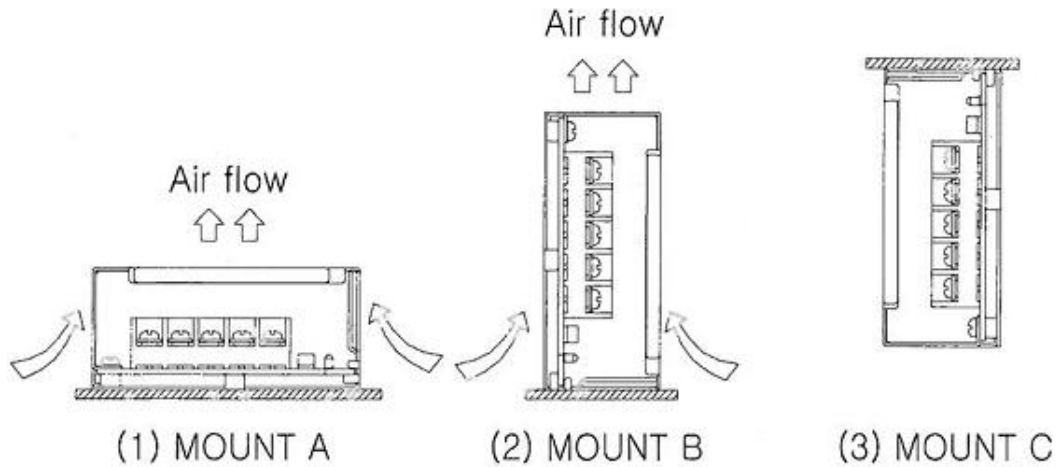


- Tolerance : ± 1
- Dimensions in mm



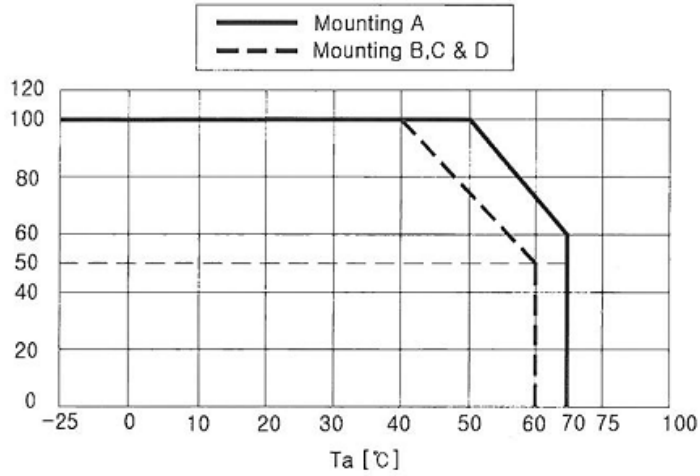


OUTPUT DERATING CURVE AND RECCOMENDED MOUNTING DIAGRAM

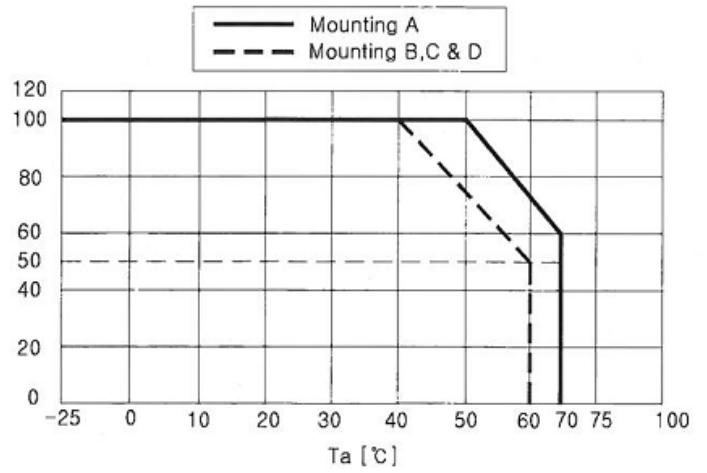




AOJS50-3.3, AOJS50-5



AOJS50-12~AOJS50-48



SERIES WIRING DIAGRAM

