



AOPS100 Series

100 Watt AC/DC Power Supply



Universal Input
Inrush current protection
Over Voltage Protection
Over Current Protection
UL, CE recognized
2 year Warranty



		UNIT	
INPUT	Voltage/Freq	V	AC100V - 240V (AC85V ~ 264V or DC125V~ 370V), 50 / 60Hz (47 ~ 440Hz) Universal Input voltage
	Current Typ. 110V	A	0.9
	220V		1.3
			0.45 @ 3.3 VDC 0.65 all other voltages
	Power Fac 110V	-	0.99
	220V		0.95
	Inrush Current	A	110V 20 (Ta=25°C , Io=100% at cold Start); 220V 40 (Ta=25°C , Io=100% at cold Start)
	Leakage	mA	110V=0.4 220V=0.75

		UNIT	AOPS150-3.3	AOPS150-5	AOPS150-9	AOPS150-12
OUTPUT	Nominal Voltage	VDC	3.3	5	9	12
	Efficiency typ	%	77	81	81	82
			80	83	85	86
	Current	A	20	20	11.0	8.4
	Line Regulation	mV	25	25	45	60
	Load Regulation	mV	50	50	90	120
	Ripple	mVp-p	80	80	90	120
	Ripple Noise maximum	mVp-p	120	120	140	170
	Temperature Drift [0-+50C]	mV	50	75	135	180
	Rise Time	mS	1000 max [AC IN 85 Io =100%]			
	Hold up Time	mS	17 typ [AC IN 85V, Io =100%]			
	OVP	-	3.8-4.6	5.7-7.0	10.3-12.6	13.8-16.8
	OCP	-	22.0-29.0	22.0-29.0	12.1-16.0	9.2-12.2
	Remote ON OFF		-	-	-	-
	Remote Sensing		-	-	-	-
	Power Fail Signal		-	-	-	-
	Parallel/Series Operation		Series operation possible			
	Cooling OTP		Convection Cooling			





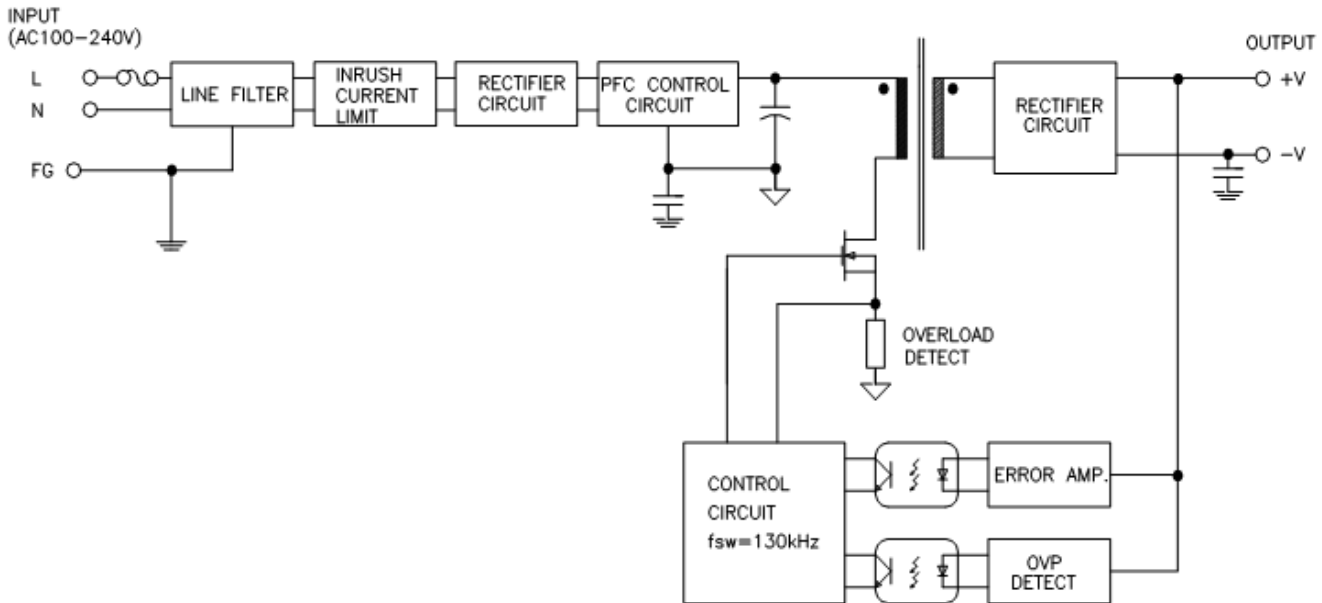
		UNIT	AOPS150-15	AOPS150-24	AOPS150-48
OUTPUT	Nominal Voltage	VDC	15	24	48
	Efficiency typ	%	81	81	82
			85	85	85
	Current	A	6.7	4.2	2.1
	Line Regulation	mV	75	120	240
	Load Regulation	mV	150	240	480
	Ripple	mVp-p	150	240	480
	Ripple Noise maximum	mVp-p	200	290	530
	Temperature Drift [0-+50C]	mV	225	360	720
	Rise Time	mS	1000 max [AC IN 85 I _o =100%]		
	Hold up Time	mS	17 typ [AC IN 85V, I _o =100%]		
	OVP	-	17.2-21.	27.6-33.6	55.2-67.2
	OCP	-	7.3-9.7	4.6-6.1	2.3-3.1
	Remote ON OFF		-	-	-
	Remote Sensing		-	-	-
	Power Fail Signal		-	-	-
Parallel/Series Operation		Series operation possible			
Cooling OTP		Convection Cooling			

Isolation	Input-Output	AC 3,000V 1 minute current 20mA, DC 500V 50MΩ (At room temperature & Humidity)	
	Input-Case	AC 2,000V 1 minute current 20mA, DC 500V 50MΩ (At room temperature & Humidity)	
	Output-Case	AC 500V 1 minute current 100mA, DC 500V 50MΩ (At room temperature & Humidity)	
Environment	Operating temp/hum	-10 ~ +70°C, 20 ~ 90% RH(Non condensing)	
	Storage temp/hum	-20 ~ +75°C, 20 ~ 90% RH(Non condensing)	
	Vibration	10 ~ 55Hz at 1G, 3 minutes period, 30 minutes along X, Y and Z axis	
	Impact	10G for 20ms once on each X, Y and Z axis	
Safety	UL/CE	UL 60950-1, 2nd Ed+AM1+AM2	
	Line Emission	, EN55022-A	
Size	MM/G	82x37x165	400 grams





BLOCK DIAGRAM



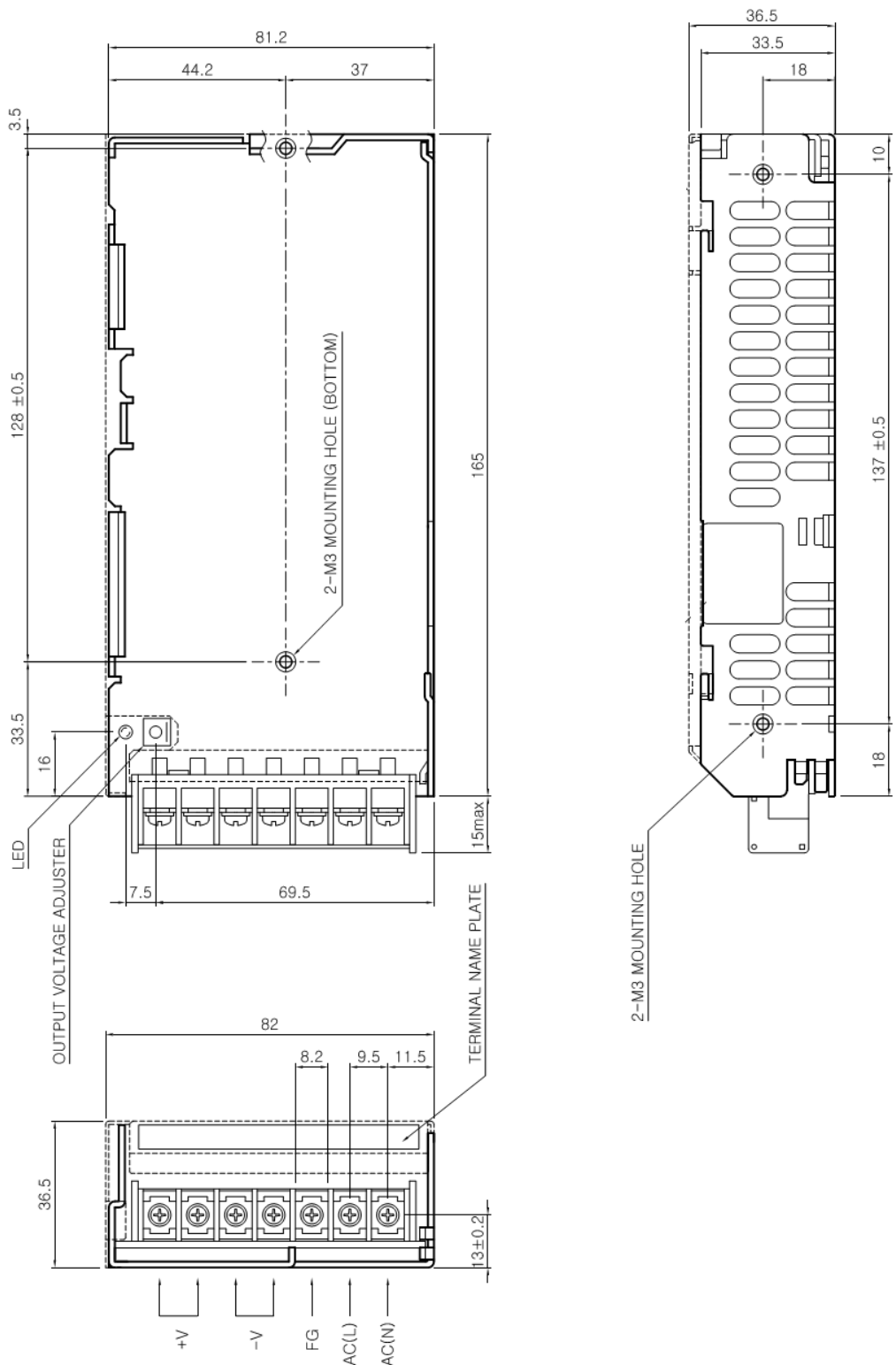
Terminal Output

Mark	Pin Connection	Function
L	AC L	AC Terminal (Fuse in Line)
N	AC N	AC Terminal
F.G	Frame ground	AC CASE
+V	DC Output (+)	DC (+) Terminal
-V	DC Output (-)	DC (-) Terminal





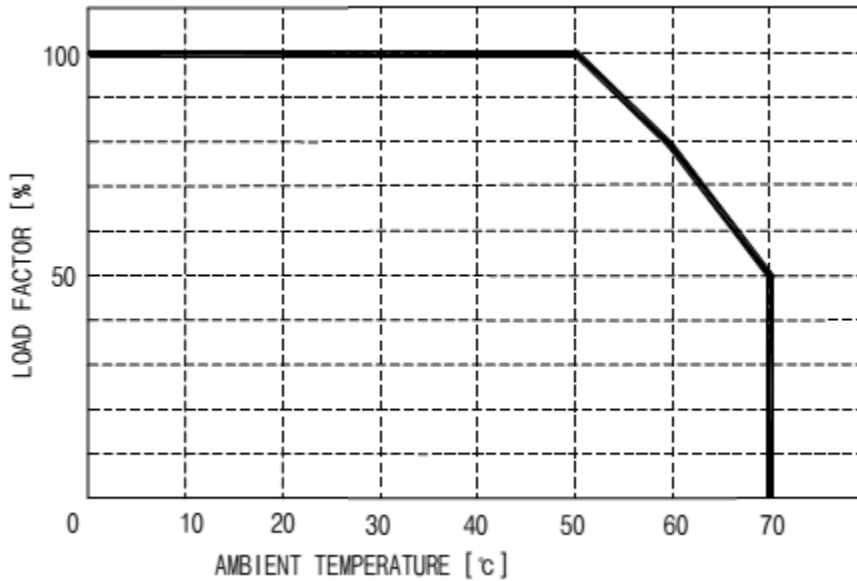
DIMENSIONAL DRAWING (mm)



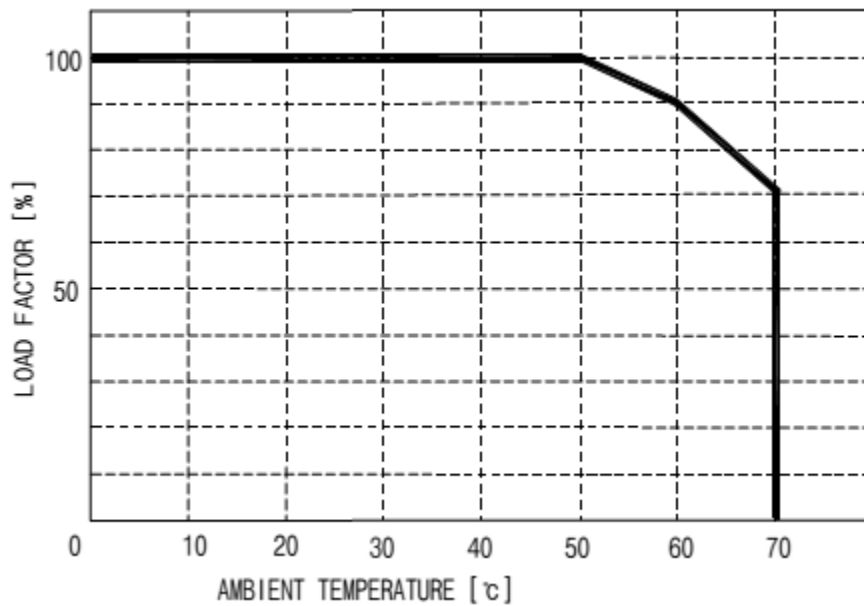


OUTPUT DERATING CURVE AND RECCOMENDED MOUNTING DIAGRAM

AOPS100-5

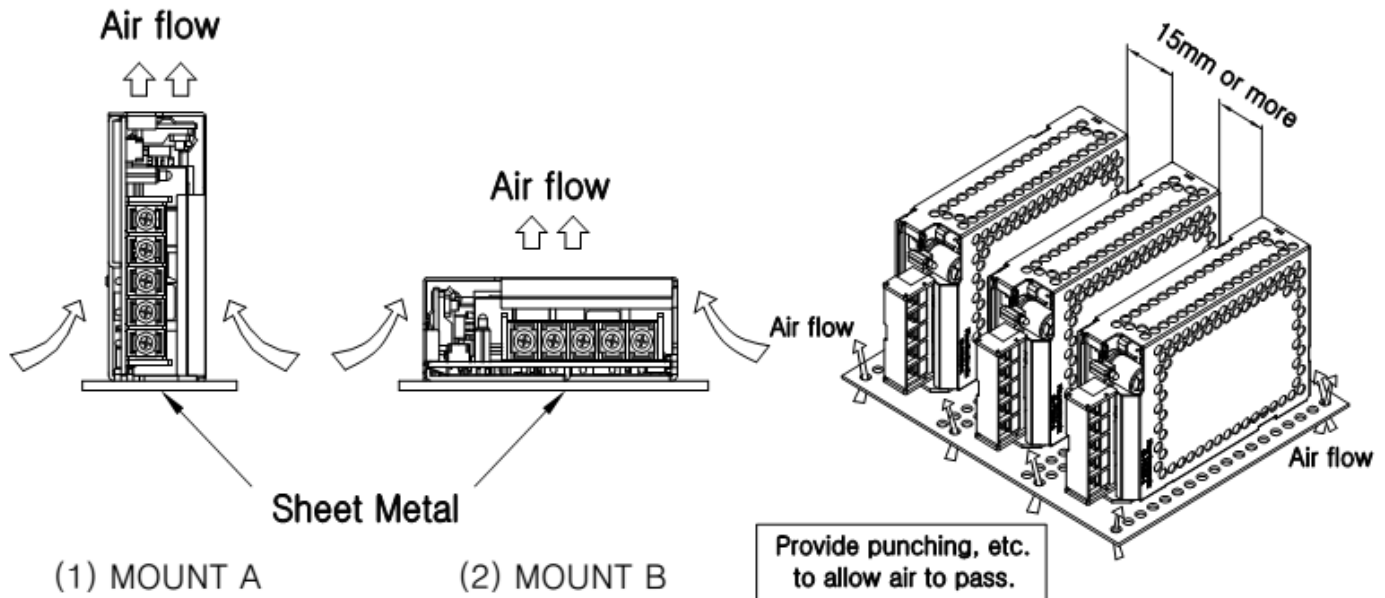
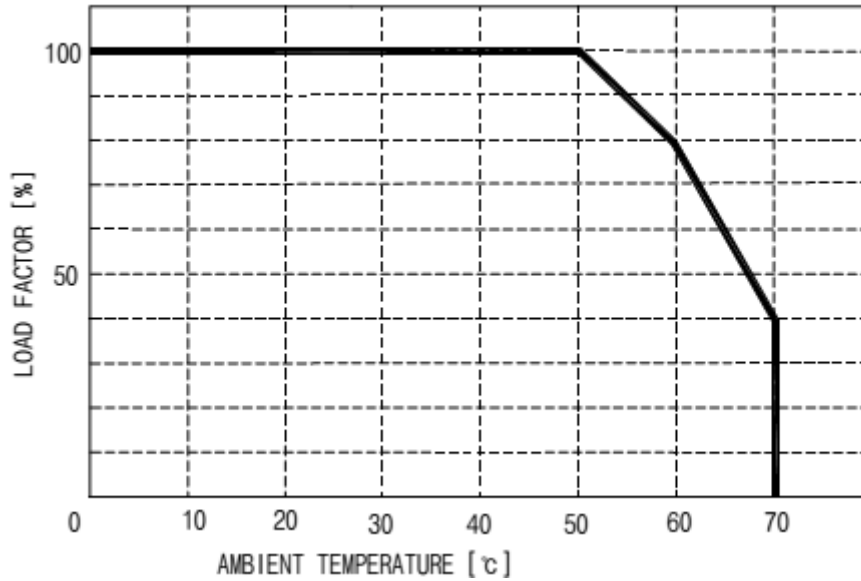


AOPS100-12





AOPS150-24





SERIES WIRING DIAGRAM

