

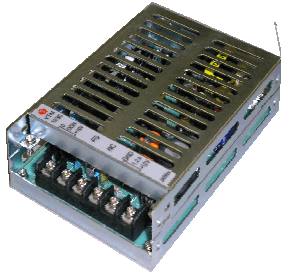


ETA-USA

The Power Professionals

VTB-SC/VTB-SD

50W



FEATURES

- Variety of Models
- Chassis mount type
- Compact and High Efficiency
- **Isolated Power Supply**



MODEL/CHANNEL		Unit	VTB05-SC24	VTB12-SC24	VTB15-SC24	VTB24-SC24	VTB48-SC24
OUTPUT (Single)	Output Current 24VDC	Vdc	5	12	15	24	48
	Output Current	A	10	4.3	3.4	2.5	1
MODEL/CHANNEL		Unit	VTB05-SC48	VTB12-SC48	VTB15-SC48	VTB24-SC48	VTB48-SC48
OUTPUT (Single)	Output Current 48VDC	Vdc	5	12	15	24	48
	Output Current	A	10	4.3	3.4	2.5	1
MODEL/CHANNEL		Unit	VTB05-SD1	VTB12-SD1	VTB15-SD1	VTB24-SD1	VTB48-SD1
OUTPUT (Single)	Output Current 110VDC	Vdc	5	12	15	24	48
	Output Current	A	10	4.3	3.4	2.5	1
MODEL/CHANNEL		Unit	VTB05-SC12	VTB12-SC12	VTB15-SC12	VTB24-SC12	VTB48-SC12
OUTPUT (Single)	Output Voltage	Vdc	5	12	15	24	48
	Output Current 12VDC	A	8	3.3	2.7	1.7	0.8
	Line Regulation	mV	40	96	120	192	384
	Load Regulation	mVp	45	108	135	216	432
	Ripple and Noise	mVp	100	170	200	290	530
	Voltage Adjustment Range	-	+/-10% of Rated Output Voltage(at no load within input range)				
	Rise Time	-	100mS(maximum) at 25°C and rated input/output				
	Temp. Coefficient	°C	0.03%/°C				
	Drift	mV	40	75	90	135	255
	Dynamic Load Regulation	mV	150	360	450	720	1440
	Recovery Time	mS	0.5mS				
MODEL/CHANNEL		Unit	VTB05-SC12	VTB12-SC12	VTB15-SC12	VTB24-SC12	VTB48-SC12
INPUT	Input Voltage 12V	Vdc	DC 12V				
	Input Voltage Range	Vdc	DC 9.2V-16V				
	Input Current	A	4.63	4.58	4.69	4.42	4.05
	Efficiency	%	72	75	76	77	78
	Ref. MTB	H	820,000				
	Switching Frequency	kHz	60 Fix.				



ETA-USA

36170 Vineyard Blvd. Suite 180 Morgan Hill, CA 95037 <http://www.eta-usa.com>
 Toll-free (US only): 800-ETA-POWR (800-382-7697) Telephone: 408 778-2793 FAX: 408-779-2753



VTB-SC/VTB-SD

50W

MODEL/CHANNEL	Unit	VTB05-SC24	VTB12-SC24	VTB15-SC24	VTB24-SC24	VTB48-SC24
Input Voltage 24V	Vdc	DC 24V				
Input Voltage Range	Vdc	DC 19-32V				
Input Current	A	2.67	2.69	2.59	3.09	2.53
Efficiency	%	78	80	82	81	79
Ref. MTBF	H	810,000				
Switching Frequency	kHz	60 Fix.				

MODEL/CHANNEL	Unit	VTB05-SC48	VTB12-SC48	VTB15-SC48	VTB24-SC48	VTB48-SC48
Input Voltage 48V	Vdc	DC 48V				
Input Voltage Range	Vdc	DC 38-63V				
Input Current	A	1.34	1.31	1.28	1.44	1.16
Efficiency	%	78	82	83	84	86
Ref. MTBF	H	810,000				
Switching Frequency	kHz	60 Fix.				

MODEL/CHANNEL	Unit	VTB05-SD1	VTB12-SD1	VTB15-SD1	VTB24-SD1	VTB48-SD1
Input Voltage 110V	Vdc	DC 110V				
Input Voltage Range	Vdc	DC 85-140V				
Input Current	A	5.27	5.31	5.12	5.59	4.71
Efficiency	%	79	81	83	84	85
Ref. MTBF	H	740,000				
Switching Frequency	kHz	70 Fix.				

MODEL/CHANNEL	Unit					
---------------	------	--	--	--	--	--

Environment	Operating Temperature	°C	0 to +50°C			
	Operating Humidity	%	85%RH(non-condensing)			
	Storage Temperature	°C	-20 to +85°C			
	Withstand Voltage Primary-Secondary	%	Primary-Secondary AC1,500V for 1 minute (Vin=110 2000) Primary-Frame Ground AC1,500V for 1 minute (Vin=110 2000) Secondary-Frame Ground AC500V for 1 minute			
	Storage Humidity	-	20 to +90%RH			
	Isolation Resistance	-	Primary-Secondary-Frame Ground 50M (minimum) by DC500V insulation tester			
	Shock	-	294m/s ²			
	Cooling	-	Convection			
	Vibration	-	5-10Hz: 10mm double amplitude, 10-55Hz: 19.6m/s ² , 20 minutes period for 60 minutes each along X, Y, Z axis(non-operating)			
Protection	Over Current Protection	A	Current Limiting with automatic recovery			
	Over Voltage Protection	-	Output shutdown			
	Reverse Voltage Protection	-	by internal bridge diode			
Dimension	Size(WxHxD) / Weight	mm/g	96W×160L×33H/410g			

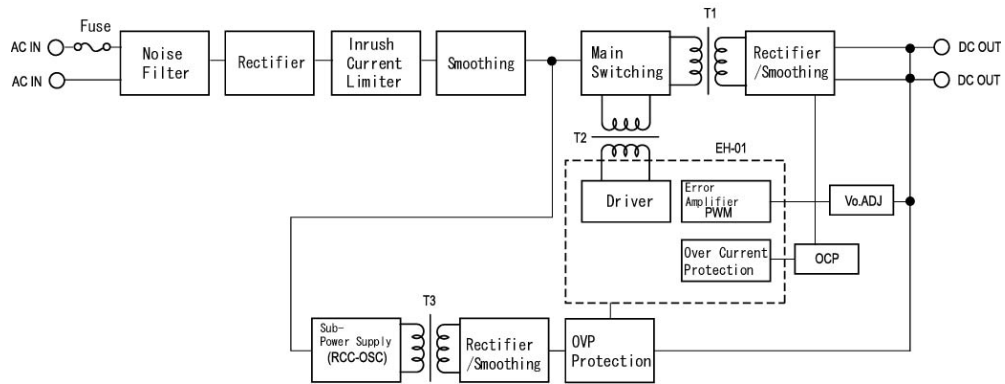
* Input fuse is installed in unit

* Common mode filter is installed at the input side of unit

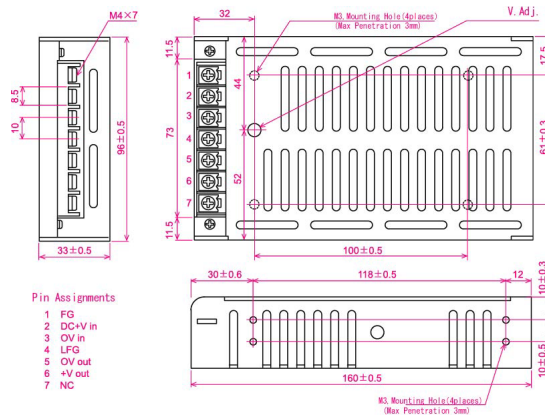




Block Diagram 50W



Dimension Diagram (mm)



Efficiency Curve OCP Curve

