



ETA-USA

The Power Professionals

TGS150 Series

150W



TGS 150 — ○○SC △△

| | | | | | | | |
|-------------|---------------|--------------|-------------------|-----------------|------------------|------------------|--------------------|
| Series Name | Single Output | Output Power | Output Voltage | | | Input Voltage | |
| | | | 03:3.3V 15:15V | 05:5V 24:24V | 12:12V 48:48V | 12:12V 24:24V | 48:48V 110:110V |

Features

- Wide Range DC Input
- Small Size 1U height
- **5 Yr warranty**
- 10 year operation at 40°C
- Low Power Consumption < 1W
- Remote ON/OFF
- Constant Current Protection



| MODEL/CHANNEL | | Unit | TGS150-03SC | TGS150-05SC | TGS150-12SC | TGS150-15SC | TGS150-24SC | TGS150-48SC |
|-----------------------------|----------------------------|------|---|-------------|-------------|-------------|-------------|-------------|
| OUTPUT | Nominal Voltage | V | 3.3 | 5 | 12 | 15 | 24 | 48 |
| | Rated Output Current | A | 30 | 30 | 14 | 11 | 7 | 3.5 |
| | Dynamic Load | mV | ±100 | ±150 | ±240 | ±300 | ±480 | ±960 |
| | Output Adjustment Range | V | 2.97~3.63 | 4.5~5.5 | 10.8~13.2 | 13.5~16.5 | 21.6~26.4 | 43.2~52.8 |
| | Drift | mV | 40 | 40 | 75 | 90 | 135 | 255 |
| | Line Regulations | mV | 25 | 25 | 60 | 75 | 120 | 240 |
| | Load Regulations | mV | 30 | 45 | 72 | 90 | 144 | 288 |
| | Temperature Effect | mV | 25 | 25 | 60 | 75 | 120 | 240 |
| | Ripple & Noise | mVp | 150 | 180 | 200 | 200 | 300 | 530 |
| | Max. Output Power | W | 99 | 150 | 168 | 165 | 168 | 168 |
| Start-up | ms | 300 | | | | | | |
| Recovery Time | ms | 0.5 | | | | | | |
| Function | Over Current Protection | A | Auto recover. Constant current limit type (Short Mode not Acceptable) | | | | | |
| | Over Voltage Protection | - | Shut down (Recover by AC reclosing after 30 seconds) | | | | | |
| | Remote Sensing | - | Available | | | | | |
| | Remote ON.OFF | - | Available | | | | | |
| | Parallel Operations | - | Not available (1+1 redundant with using OR-ing diode is acceptable) | | | | | |
| Electrical Isolation | Withstand Voltage | - | Primary/Secondary AC2000V Cutoff Current 20mA 1 min (Normal temperature & humidity) | | | | | |
| | Primary Chassis | - | AC2000V Cutoff Current 20mA 1 min (Normal temperature & humidity) | | | | | |
| | Secondary Chassis | - | AC1000V Cutoff Current 20mA 1 min (Normal temperature & humidity) | | | | | |
| | Insulation Resistance | - | Primary/Secondary Chassis 50MΩ min. (500V DC) | | | | | |
| Environment | Operating temp. & Humidity | - | Refer to the Derating Condition. -10~+70°C -20~85% (Without condensation) | | | | | |
| | Storage temp & Humidity | - | -40°C to +85°C (Except thermal shock); -10~85%(Without condensation) | | | | | |
| | Vibration | - | 5-10Hz/ XYZ axis 10mm, 10-55Hz / 19.6m/s ² | | | | | |
| | Switching Frequency | kHz | 65-85 Fix. | | | | | |
| | Safety Standards | - | UL60950-1 2nd Edition 2014-10-14 / CE Marking by CB Report | | | | | |
| Dimension | Cooling/OTP | - | Convection Cooling | | | | | |
| | Shock | - | Impact 294m/s ² /XYZ axis | | | | | |
| | LxWxH/Weight | mm/g | 168Lx38Wx85H/550 max. | | | | | |



ETA-USA

16170 Vineyard Blvd. Suite 180 Morgan Hill, CA 95037 <http://www.eta-usa.com>
Toll-free (US only): 800-ETA-POWR (800-382-7697) Telephone: 408 778-2793 FAX: 408-779-2753

©2014 ETA-USA All Rights Reserved

ETA-USA reserves the right to make changes to the products and specifications without prior notice. Please contact the factory for latest information.



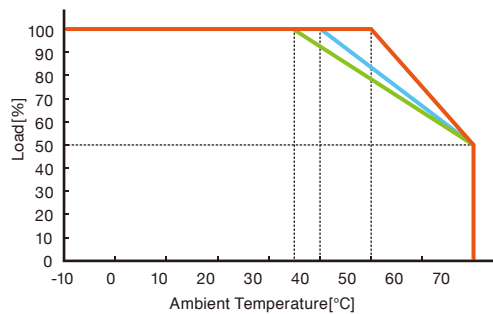
TGS150 Continued

150W

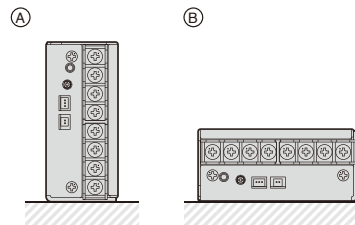
| | MODEL/CHANNEL | Unit | TGS150- **SC12 | TGS150- **SC24 | TGS150- **SC48 | TGS150- **SC110 |
|-------|---------------------|------|-------------------|-------------------|-------------------|--------------------|
| INPUT | Input Range | Vdc | 8~20 | 14.4~32 | 30~63 | 60~144 |
| | Rated Input Current | A | 17 | 8.4 | 4.3 | 2 |
| | Efficiency | % | 85 | 88 | | |
| | Zero Load Power | W | 1 Max. | | | |

Derating Curve

150W



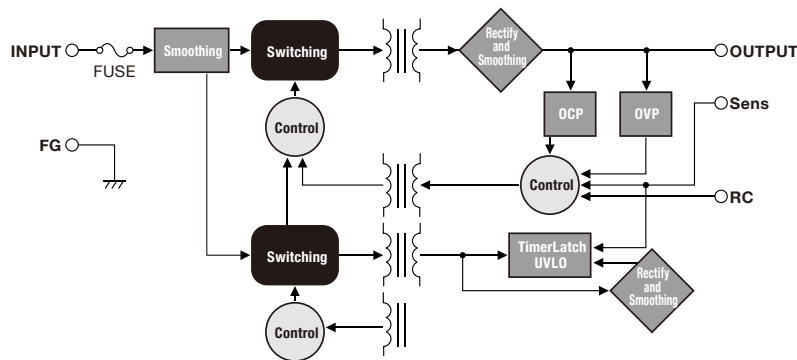
Mounting Condition



- SC12
 - Ⓐ 3/12/15/24/48V
- SC12
 - Ⓐ 5V
 - Ⓑ 3/12/15/24/48V
- SC12
 - Ⓑ 5V
- SC24
 - Ⓐ 3/5/12/15/24/48V
 - Ⓑ 3/15/24/48V
- SC24
 - Ⓑ 5/12V

Block Diagram

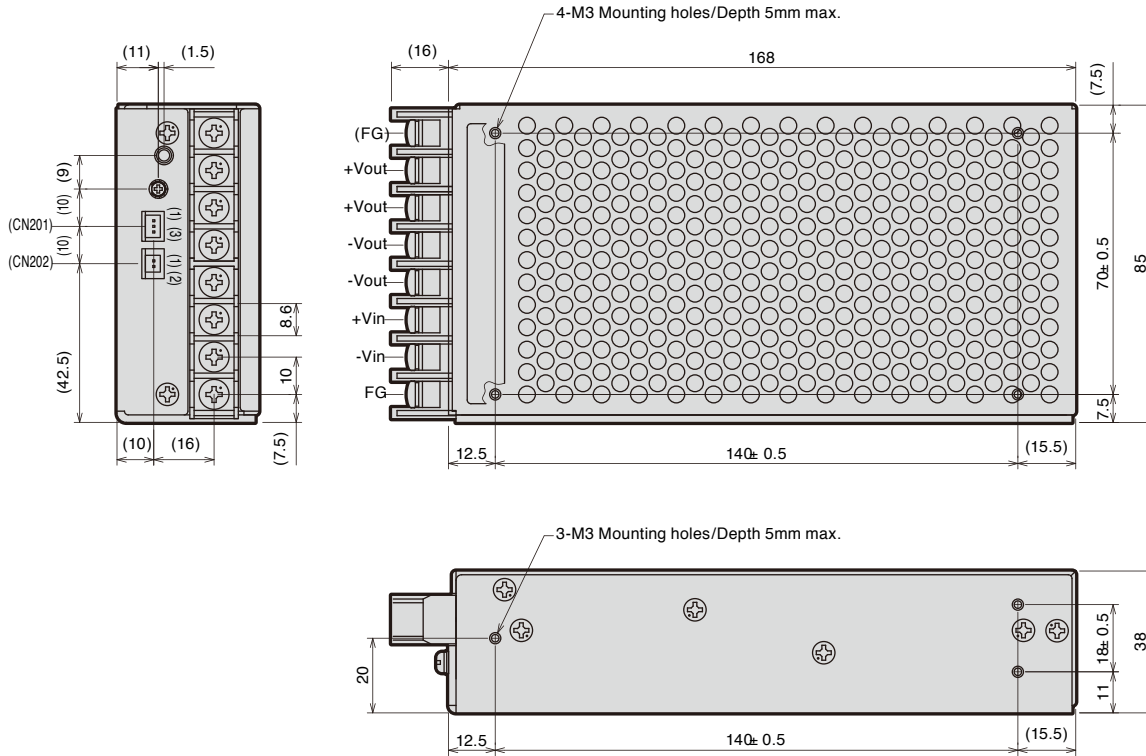
150W





Dimensions

150W



Unit:mm
 General tolerance:±0.2
 Weight:550g max. / MODEL TGS150
 Power supply mounting torque/M3:0.5N · m max.
 Terminal block tightening torque/M4:1.2N · m max.

Customize

150W

Timer Latch Protection

Able to Change to
 Timer Latch (3 Sec.) Protection in
 Over Current Mode
 *100W/150W Only

Battery Charge

Change the Over Current Protection
 Function to Constant Current Charging

