



OC1-05SC1224-I

7 Watt DC/DC Power Supply



FEATURES

- Non Isolated DC/DC Converter
- Regulated Output
- Wide input voltage
- 87% efficiency
- Remote ON/OFF

RoHS

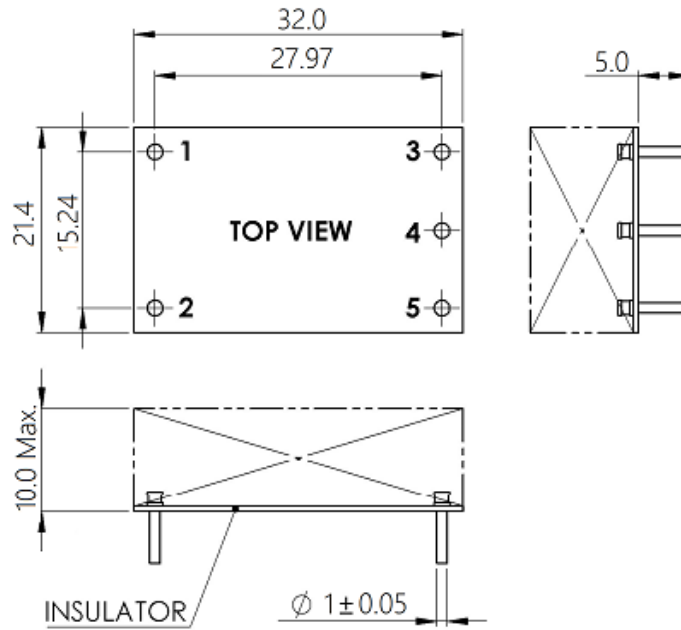
		UNIT	OC1-05SC1224-I	
INPUT	Nom Voltage (Range)	V	12/24VDC 10.2~32 Vdc	
	Current Typ.	mA	15 mA Typ	
	Start-up Time	ms	15 MAX	
<hr/>				
		UNIT	OC1-05SC1224-I	
OUTPUT	Nominal Voltage	VDC	5 VDC	
	OUTPUT VDC ACCURACY	%	2%	@4.9~5.1Vdc @Vin=10.2~32Vdc
	Current	mA	1400	
	Total Pwr	W	7	
	Efficiency	%	87 TYP	@Vin=24Vdc
	Line Regulation	%	±0.5% MAX	At LL TO HL, Full Load
	Load Regulation	%	±0.5% MAX	At 25%FL TO 100%FL
	Startup Time	ms	15 MAX	
	Ripple Noise	mVp-p	75mVp-p MAX	@20MHz Bandwidth
	Temp Coefficient		0.03%/°C MAX	
	Short circuit protect	Type	Hiccup	
	Cooling		Convection	





ISOLATION	Voltage	Non isolated		
	Resistance	Non isolated		
	Operating temp	-20°C ~ +71°C		
Environment	Storage	-20°C ~ +85°C		
	Vibration	Mil-STD 202G		
	Humidity	90 %		
Switching Frequency	150 KHz Typ			
Dimension	WxLxH/Weight	mm/g	21.4 W X 32 L X 10 H 7 grams	

DIMENSIONS , PINOUT, REMOTE FUNCTION



Unit : mm
Tolerance : XX.X ± 0.5 , XX.XX ± 0.25

PIN Assignment

PIN	1	2	3	4	5
FUNCTION	+Vin	GND	+Vout	Remote	GND

Note:

- 1.ON: Apply DC2. 8V-Input Voltage between PIN “RC” and “0V” (Inflowing current)
- 2.OFF: When PIN “RC” and “0V” is open
- 3.Short the PIN “RC” and “+Input Voltage” when not using the RC function





DERATING

