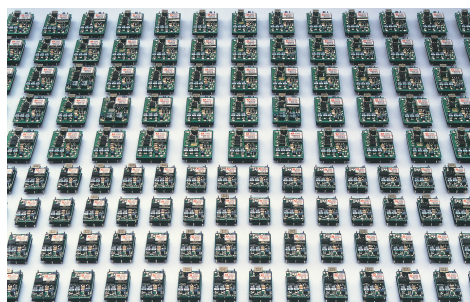




OBQ-SC/WC

3W Open Frame



FEATURES

- 3 WATT OPEN FRAME
- 4:1 WIDE INPUT VOLTAGE
- EFFICIENCY TO 80%
- 100% BURNED IN REGULATED OUTPUT TYPE
- WIDE INPUT VOLTAGE RANGE
- 3 WATT DC-DC CONVERTER



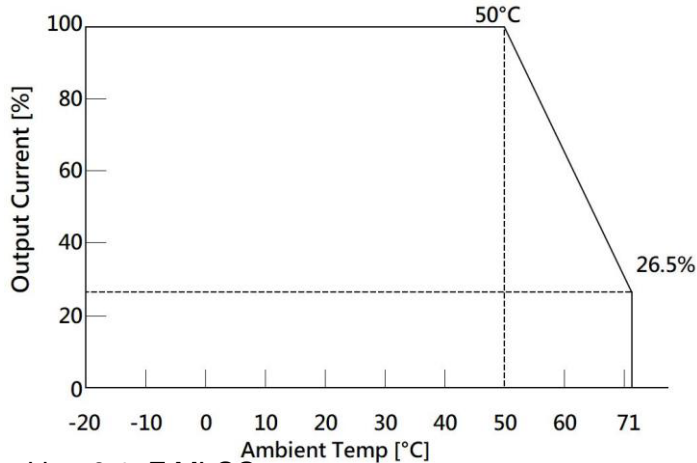
| MODEL/CHANNEL | | Unit | OBQ12SC2448-I | OBQ15SC2448-I |
|--------------------|--------------------------|-----------|---|------------------------------------|
| OUTPUT | Output Voltage | Vdc | 12Vdc | 15Vdc |
| | Output Voltage Accuracy | Vdc | ±2% @11.76~12.24Vdc; @Vin=18~72Vdc | ±2% @14.7~15.3Vdc @Vin=18~72Vdc |
| | Output Current | A | 200mA | |
| | Line Regulation max. | mV | ±0.5% MAX. @LL TO HL, Full Load | |
| | Load Regulation max. | mV | ±0.5% MAX. @0%FL TO 100%FL | |
| | Trim up Down Range | mV | ±10% MIN % of Nominal Output Voltage | |
| | Ripple and Noise(max.) | mVp | 150mVp-p MAX. @20MHz Bandwidth & Measured with a 0.1uF MLCC | |
| | Temperature Coefficient | - | 0.03%/MAX. | |
| Rise Up Time | mS | 15ms TYP. | | |
| MODEL/CHANNEL | | Unit | | |
| INPUT | Input Voltage | Vdc | 48Vdc | |
| | Input Current | A | 30mA TYP @No Load | |
| | Efficiency (typical) | % | 80% TYP. @Vin=48Vdc | |
| | Input Voltage Range | Vdc | 18~72Vdc | |
| Environment | Operating Temperature | °C | -20°C~ +71°C (with derating) | |
| | Operating Humidity | % | 90% MAX | |
| | Storage Temperature | °C | -20°C~ +85°C | |
| | Isolation Voltage | - | 1500Vdc for 1 minute | |
| | Isolation Resistance | - | 100MΩ MIN @ 500Vdc | |
| | Cooling | - | Natural Convection | |
| | Switching Frequency | - | 80kHz MIN | |
| Function | Short Circuit Protection | - | Continuous @Auto-recovery | |
| Dimension | Size(WxHxD) / Weight | mm/g | 32x20/4.5g TYP | |





Temp. Derating Graph

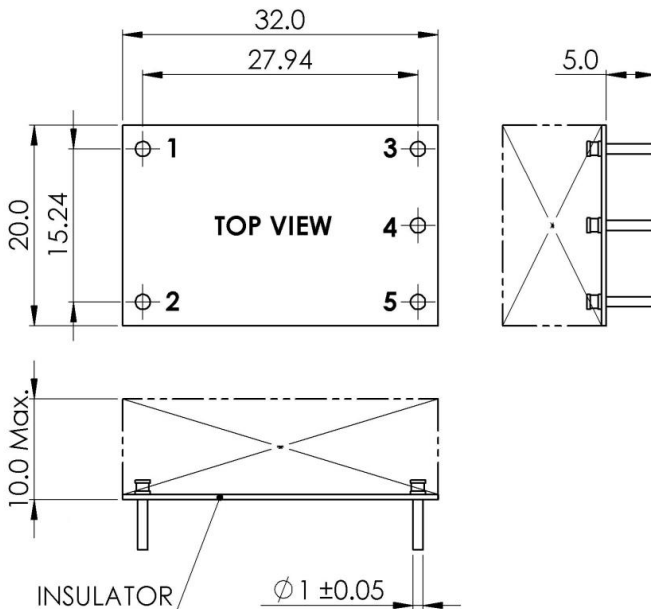
3W Open Frame



- A: OBQ
- B: Open Frame
- C: Size
- D: Input Range
- E: Output Power
- F: Input Voltage
- G: Single Output
- H: Output Voltage

Online Dimension Diagram (mm)

3W Open Frame



Unit : mm
Tolerance : XX.X ±0.5 , XX.XX ±0.25

PIN Assignment

| PIN | 1 | 2 | 3 | 4 | 5 |
|----------|------|------|-------|------|-------|
| FUNCTION | +Vin | -Vin | +Vout | Trim | -Vout |

