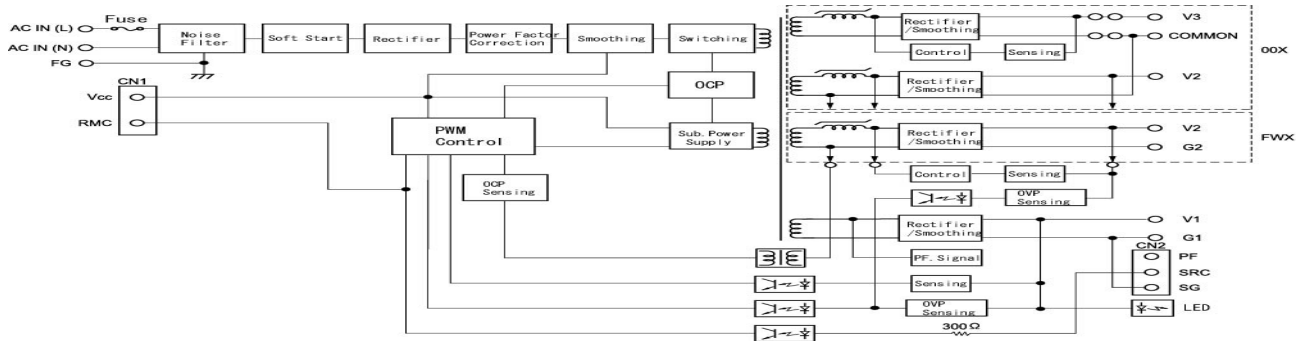


170 WATT AC-DC CONVERTER

**FHKJ-FWX Series
DUAL CHANNEL**

Specifications<AC/DC>	Model			
FHKJ**FWX-U 170WATTS/2 OUTPUTS	FHKJ21FWX-U	FHKJ22FWX-U	FHKJ23FWX-U	FHKJ24FWX-U
Input Characteristic				
Input Voltage	AC115-230V			
Input Current	3.0-1.5A			
Input Range	AC85-264V			
Input Frequency	50/60Hz			
Input Frequency Range	47-63Hz			
Phase	Single			
Inrush Current *1	20A(maximum) at AC100V/40A(maximum) at AC200V			
Efficiency [%] (minimum)	70%(typical) at AC100V/72%(typical) at AC200V			
Power Factor	0.99(typical) at AC100V/0.97(typical) at AC200V			

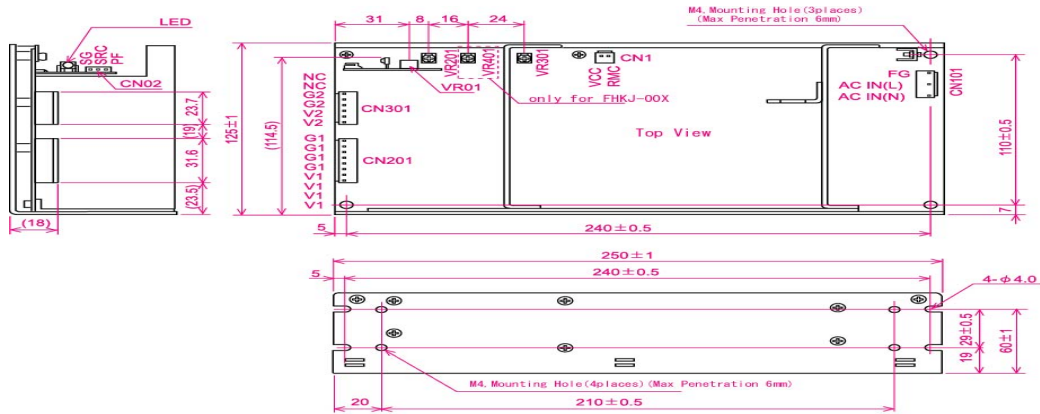
BLOCK DIAGRAM



FHKJ-FWX/OOX

Specifications<AC/DC>	Model							
FHKJ**FWX-U 170WATTS/2 OUTPUTS	FHKJ21FWX-U		FHKJ22FWX-U		FHKJ23FWX-U		FHKJ24FWX-U	
Output Voltage [V]	5	24	12	12	15	15	5	12
Output Current [A] *2	3-20	5	0.45-4.5	10	0.35-8	5.5	3-20	10
		Peak6.5		Peak13				Peak13
Voltage Adjust Range	+/- 10% of Rated Output Voltage(at no load within the input range)							
Ripple and Noise [mVp-p](maximum) *3	150	340	220	220	250	250	150	220
Regulation								
a.Statistic Line Regulation [mV](maximum)	40	192	96	96	120	120	40	96
b.Statistic Load Regulation [mV](maximum)	50	240	120	120	150	150	50	120
c.Temperature Coefficient *4	0.03%/							
d.Drift[mV](maximum) *5	50	240	120	120	150	150	50	120
e.Dynamic Load Regulation [mV](typical) *6	not specified							
f.Recovery Time *6	not specified							
Rise up time	50ms (rated input/output)							
Hold up time	50ms (rated input/output)							
Functions								
Overcurrent Protection [A]	Current Limiting with automatic recovery activates ≥ 79 watts Please contact factory for further information							
Overvoltage Protection $\geq 20\%$ of Rated Output	Output shutdown(to reset,leave 3minutes after shut-off)							
	6.0	28.8	14.4	14.4	18.0	18.0	6.0	14.4
Remote Sense	not available							
Remote On/Off	available							
Power Fail Detection	available							
Parallel/series Operation	not available							
Environmental								
Operating Temperature	Enclosed type:-5 to +40							
Operating Humidity	30 to 85%RH(non-condensing)							
Storage Temperature	-20 to +85							
Storage Humidity	20 to 85%RH(non-condensing)							
Withstanding Voltage	Primary-Secondary AC3,000V for 1minute Primary-Frame Ground AC2,500V for 1minute Secondary-Frame Ground AC500V for 1minute							
Isolation Resistance	Primary-Secondary-Frame Ground 100M Ω (minimum) by DC500V insulation tester							
Vibration	5-10Hz:10mm double amplitude,10-55Hz:19.6m/s ² ,20minutes' period for 60minutes each along X,Y,Z axes(non-operating)							
Shock	294m/s ²							
Cooling	Convection							
Leakage Current	1mA (rated input/output) at 25 $^{\circ}$ C and rated input frequency							
Line Conducted Noise	Built to meet FCC Part15-B Class B Built to meet VCCI Class B Built to meet EN55022							
Line Harmonic Distortion	Built to meet IEC1000-3-2							
Safety	UL: UL1950 C-UL: CSA C22.2 No.950(Level 3) VDE:EN60950, IEC950, VDE0805							
Weight (typical)	1,200g/enclosed type:1,450g							

DIMENSION DIAGRAM



FHX_S
FHKJ_S

DERATING CURVE

