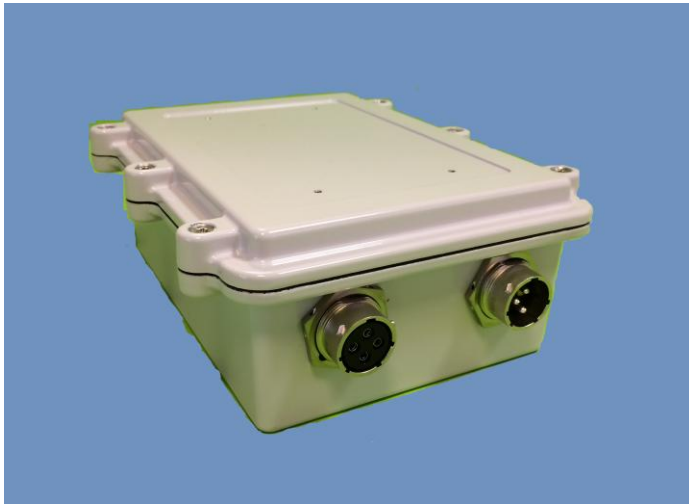




ETA-USA

THE POWER PROFESSIONALS



HZD500-****SX-****

IP 67 Outdoor/
With Mountable Heatsink

500W AC/DC IP 67 Power supply.
Universal Input . Meets Hazardous
location IEC60079-0, IEC60079-7 for
explosive atmospheres with
recommended connector cover.

		UNIT	
INPUT	Voltage/Freq	V	AC 100(95-264) 50/60 Hz (47-63)
	Current Typ.	A	8.6A~4.1A
	Power Factor	-	0.93-0.96
	Inrush Current	A	27A max at 264VAC
	Leakage Current	mA	0.75 max
Connector		Amphenol RT0714-4PNH (-ES version with shared current 7.3-14.6A)	

		UNIT	HZD500-12SX	HZD500-24SX	HZD500-28SX	HZD500-48SX
OUTPUT	Nominal Voltage	VDC	12	24	28	48
	Efficiency At 120/220 VAC	%	84/86	87/90	87/90	88/90.5
	Current	A	42	20.8	18	10.5
	Rated Power	W	504	504	504	504
	Line Regulation	mV	24 max	48 max	56 max	96 max
	Load Regulation	mV	24 max	48 max	56 max	96 max
	Ripple	mVp-p	120	180	180	250
	Ripple Noise maximum	mVp-p	150	200	200	300
	Temperature Reg	mV	120 max	280 max	325 max	480 max
		mV	[0 to +65C] 240 max [-40 to +100C]	[0 to +65C] 560 max [-40 to +100C]	[0 to +65C] 650 max [-40 to +100C]	[0 to +65C] 960 max [-40 to +100C]
Temperature Drift	mV	40 max	80 max	90 max	180 max	
Connector	Amphenol RT07144SNH (standard)					



ETA-USA

16170 Vineyard Blvd, Suite 180 Morgan Hill, CA 95037 <http://www.eta-usa.com>
Toll-free (US only): 800-ETA-POWR (800-382-7697) Telephone: 408 778-2793 FAX: 408-779-2753



ETA-USA

THE POWER PROFESSIONALS

Protection	Over Voltage	55.20 - 64.80 VDC
	Over Current	Works over 105% of rating and recovers automatically
Safety		Meets EN 60950, 62368
Environment	Operating temp	-40 to +100C at 3,000 Meters or 10,000 Feet
	Storage Temp	-40 to +100C at 9,000 Meters or 30,000 Feet
Enclosure	Material/ Ingress	Aluminum, IP67

Additional Functions		
Power Good LED		Optional/ Contact ETA-USA for more information
Emergency Power Off		Optional/ Push to Power off/Twist to turn on (-E)
Finish		Powder Coat Gray pantone (Standard)
Size/Weight		155x206x75mm / 6x8x2.95 Inches; 2.5Kg / 5.5 lbs



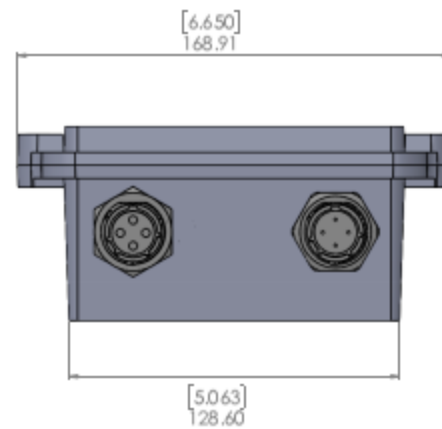
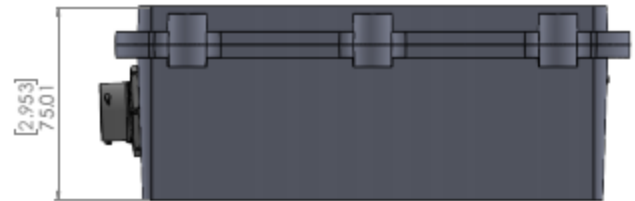
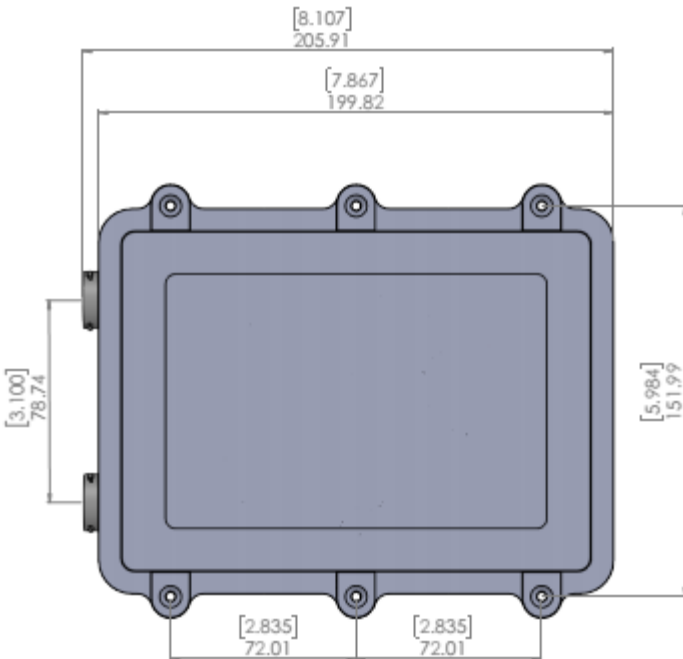
ETA-USA

16170 Vineyard Blvd, Suite 180 Morgan Hill, CA 95037 <http://www.eta-usa.com>
Toll-free (US only): 800-ETA-POWER (800-382-7697) Telephone: 408 778-2793 FAX: 408-779-2753



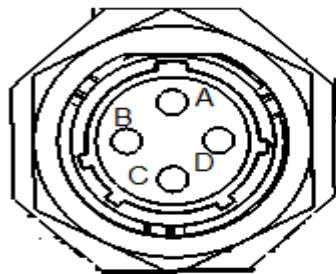
Dimensional Drawing

HZD500- STANDARD



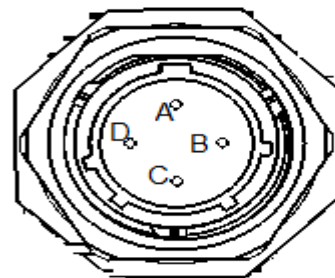
[inches]
Millimeters

DC OUT
P/N: RT07144SNH



PIN A: +48 VDC
PIN B: +48 VDC
PIN C: -48 VDC
PIN D: -48 VDC

AC IN
P/N RT07144PNH



PIN A: AC LINE
PIN B: NC
PIN C: AC NEUTRAL
PIN D: AC GROUND

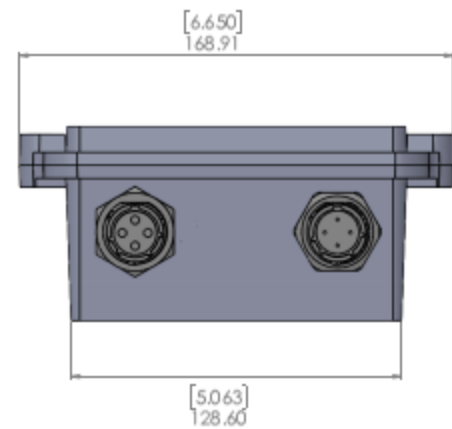
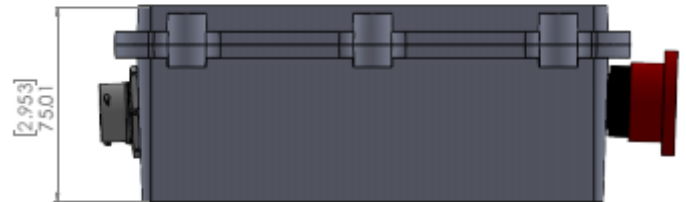
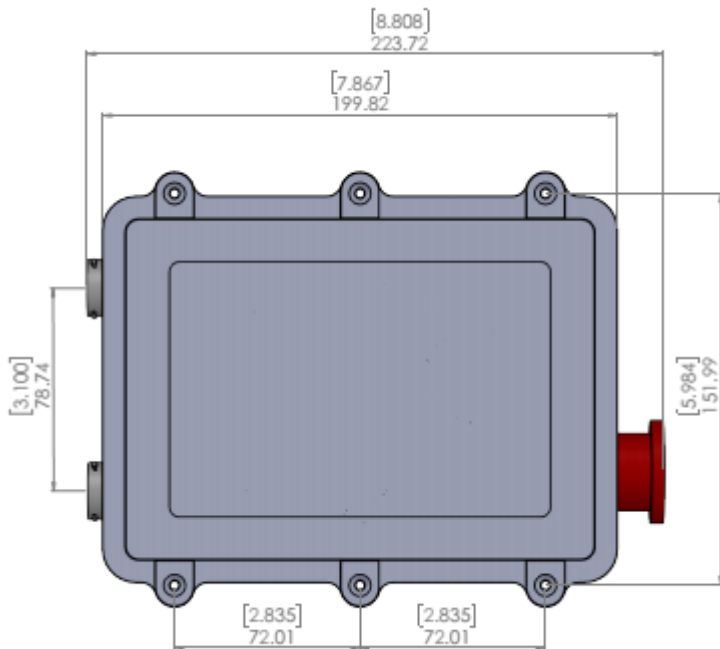




ETA-USA

THE POWER PROFESSIONALS

HZD500-**SX-E (WITH EMERGENCY POWER OFF)



ETA-USA

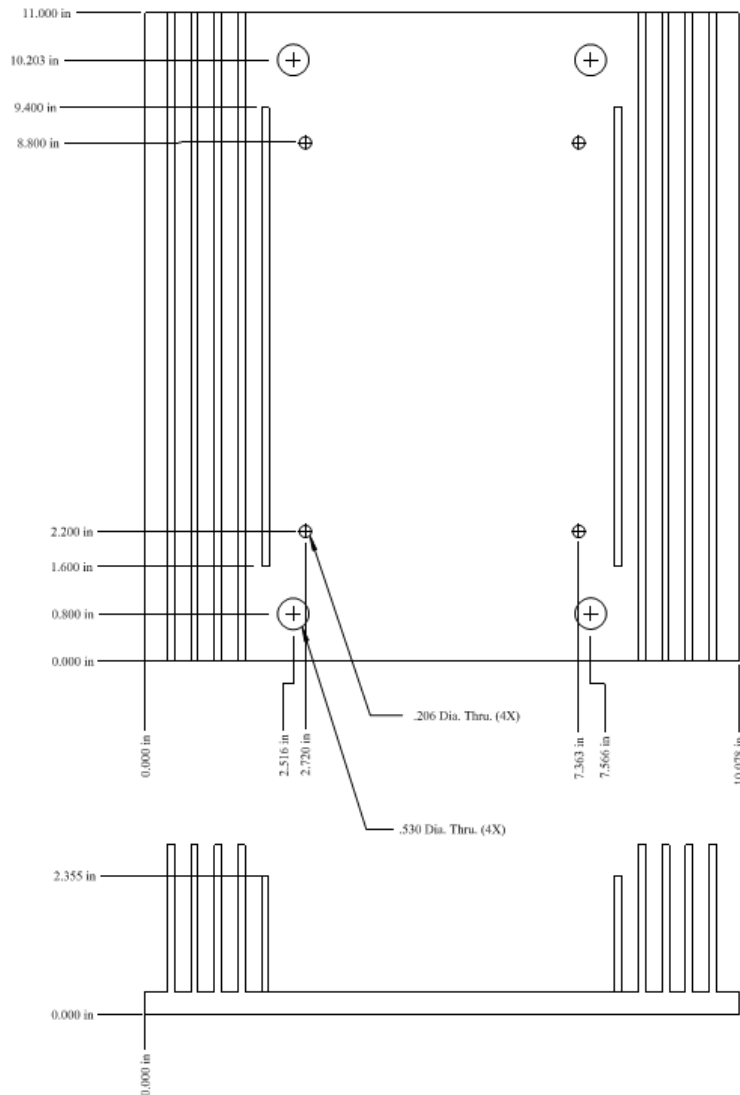
16170 Vineyard Blvd, Suite 180 Morgan Hill, CA 95037 <http://www.eta-usa.com>
Toll-free (US only): 800-ETA-POWER (800-382-7697) Telephone: 408 778-2793 FAX: 408-779-2753



ETA-USA

THE POWER PROFESSIONALS

HEATSINK P/N 400-005-1012 (Can be ordered separately or with supply)



*Heatsink designed to be mounted with 3.5 inch dia U-bolt, ZSI No. UB3 1/2PA



ETA-USA

16170 Vineyard Blvd, Suite 180 Morgan Hill, CA 95037 <http://www.eta-usa.com>

Toll-free (US only): 800-ETA-POWR (800-382-7697) Telephone: 408 778-2793 FAX: 408-779-2753