



EPF400-380

400W Power Supply



FEATURES:

- PFC Unit for ET-series
- High Efficiency 95% in AC240V input by Convection Cooling
- Power Factor 0.99 at AC240V Input
- Wide Range Input (AC85-264V)



MODEL/CHANNEL		Unit		
OUTPUT	Norminal Voltage	V	400W when AC85~264V or DC 120V to 220V input*	630W when AC 170~264V input*
	Rated Output Voltage	V	340~380V	
	Line Regulation	mV	30V Max at PFC operating range or DC120 to 220V input Output voltage will be bridge rectified when AC 255~264V input	
	Load Regulations	mV	50V max at PFC operating range or DC 120 to 220V input Changing load from 0 to the rated value with fixed input voltage	
	Voltage Range	V	±10% of Rated Output Voltage(at no load within the input range)	
	Voltage Tolerance	V	350 ± 2[V] At AC 100V input, 400W output	
	Ripple & Noise Max.	mV	30/40, measured by a Bayonet Probe at the end of the output connector with 20MHz bandwidth scope	





EPF400-380

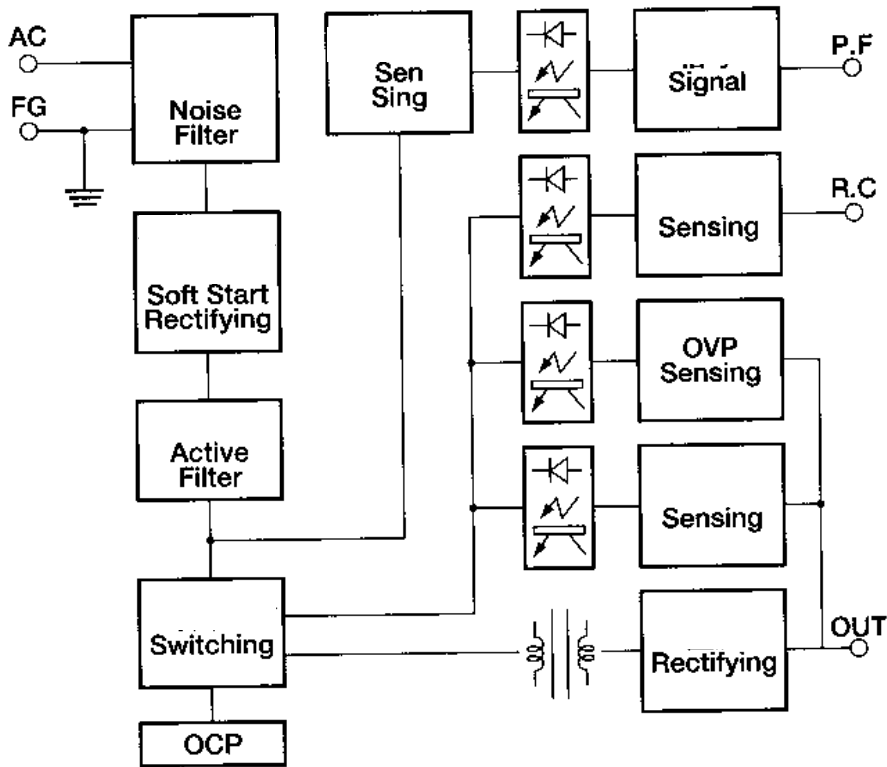
400W Power Supply

	MODEL/CHANNEL	Unit	
INPUT	Input Voltage	V	AC100-240V 5.5A; AC200-240V 4.1A; DC120-220V 4A
	Current	A	2-0.9A
	Input Voltage Range	V	AC85~264V & DC120~220V @400W Output; AC170~264V @630W Output
	Voltage, Frequency	V	50/60Hz; 45-65Hz
	Inrush Current	A	25A(typ.) at AC100V; 50A(typ.) at AC240V; 35A (typ.) at DC220V
	Leakage Current	mA	1mA(maximum)at 25°C (rated input/output and rated input frequency)
FUNCTION	Over Voltage Protection	V	None (Overload and output short breaks the power supply down)
	Over Current Protection	A	>395V after detected the overvoltage, shut the output and stop the operation. To restart, remove the cause of failure and turn ON again after shut-off Bridge rectified voltage will appear at Output when operation stopped.)
	Temperature Effect	-	25V Max at -10 to +50°C ambient temperature
ELECTRICAL ISOLATION	(1) Input - Output	-	Input-Output: Non-isolated
	(2) Input - F.G	-	Input-FG (Chassis): AC 2,500V for 1 minute
	(3) Output - F.G	-	Sens-current 20 mA
Environment	Line Harmonics	-	Built to meet IEC61000-3-2
	Operating temp. & Humidity	-	-10 to +50°C; 20 to 90%/RH(non-condensing)
	Storage temp. & Humidity	-	-20 to +85°C; 20 to 90%/RH(non-condensing)
	Cooling	-	Convection
	Mounting Direction	-	Horizontal (PSU bottom as bottom); Vertical (Q1 side placed as bottom)
	Vibration	-	5-10Hz: 10mm, 10-55Hz: 19.6m/s ² , 3 minute periods along X,Y,Z axes(non-operating)
	Isolation Resistance	-	Primary-Secondary-Frame Ground 50MΩ(minimum) by DC500V insulation tester
	Shock	-	196m/s ² except for terminals
	Safety	-	UL: UL60950-1, C-UL: EN60950-1 and the electrical appliance and material safety law based
	Line Conducted Noise	-	Built to meet EN55022 Class A, EN55022 Class B using external line filter.





Block Diagram



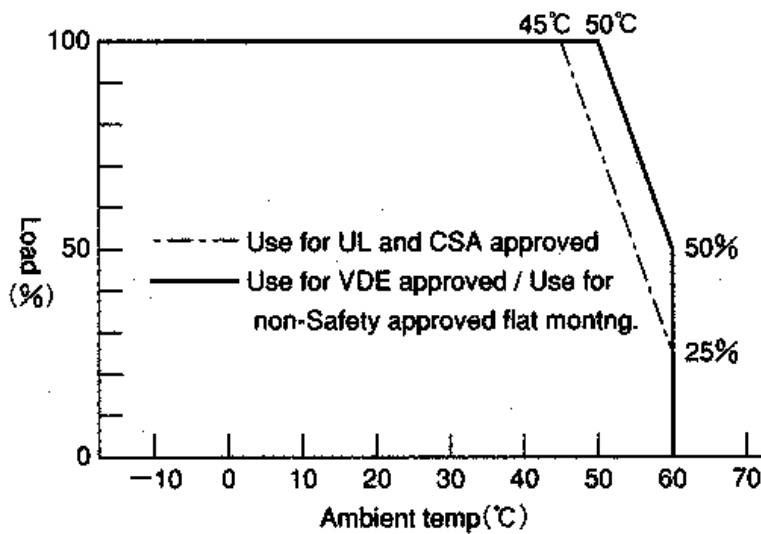
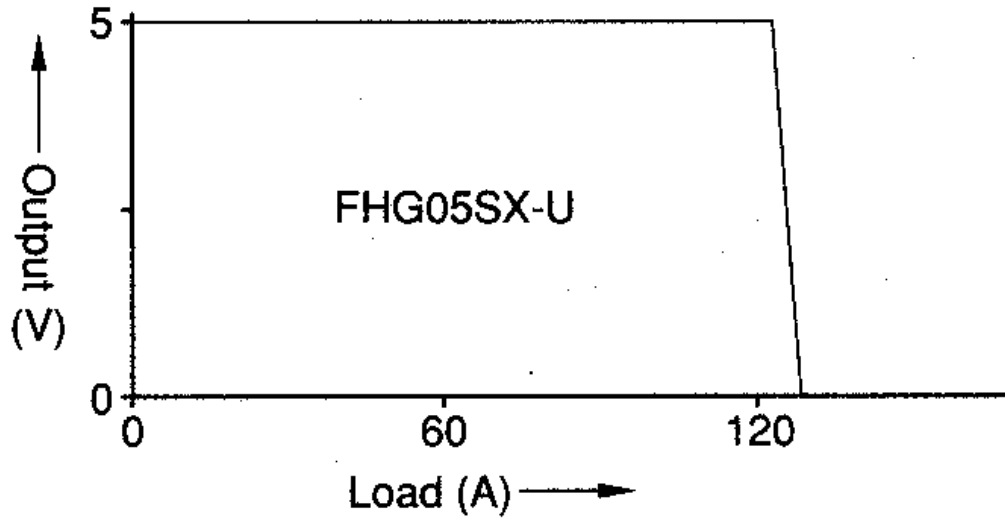
Terminal Connection

No.	
1	Remote Control
2	Remote Control Ground
3	Parallel
4	Power Fail
5	-Remote Sensing Ground
6	+Remote Sensing
7	Frame Ground
8	AC-Live
9	AC-Neutral





Load and Output





Mechanical Drawings

